



C-1

C-2

C-3

C-4

C-5

C-6

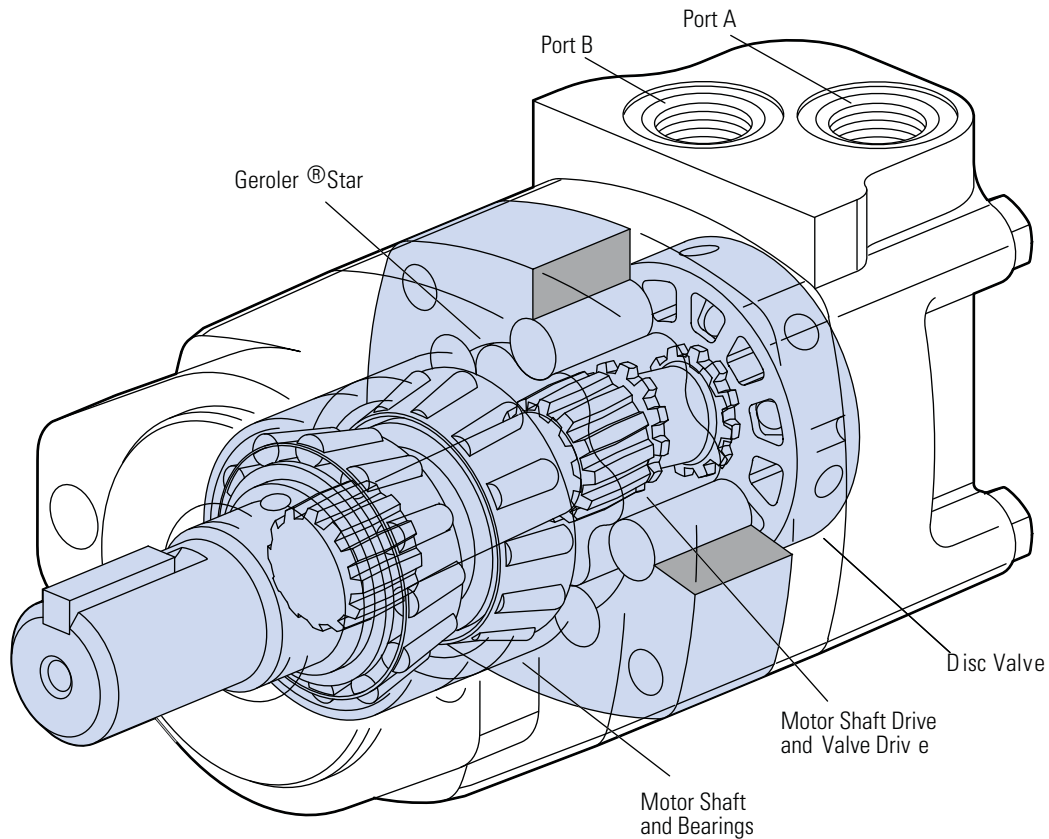
Disc Valve Hydraulic Motors

Highlights

Product Description

In the late 1950's the original low speed, high torque hydraulic motor was developed from a pump Geroter element consisting of an internal gear ring and a mating gear or star. While attaching the internal gear ring to the housing as a non moving part, oil was ported to pressurize and turn the internal star in an orbit around a center point. This slow turning star coupled with a splined drive to the output shaft became the Char-Lynn Orbit® motor.

A few years after this original Char-Lynn Orbit motor was introduced another original motor concept went into production. This motor had rolls incorporated into the internal gear ring, this element was identified by the name Geroler and is a registered trade name of Eaton Hydraulics. From these early years the Geroler motor has seen many design changes to make these Geroler motors the best the industry has to offer. Examine the simplicity of these Geroler disc valve motors shown below. Also examine all the following pages for high value Char-Lynn disc valve motors from Eaton Hydraulics.



Features, Benefits, and Applications

Features

Char-Lynn Hydraulic motors provide design flexibility. All disc valve motors are available with various configurations consisting of:

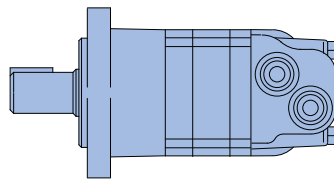
- Displacement (Geroler size)
- Output Shaft
- No Shaft and Bearing Assembly (Bearingless Motor)
- Port Configuration
- Mounting Flange
- Other Special Features

Benefits

- Lowest pressure drop motor in the industry
- Widest range of options
- The most experienced manufacturer of LSHT motors

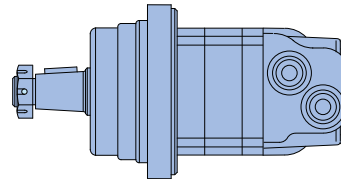
Applications

- Swing motor
- Brush Cutters & mowers
- Harvesting equipment
- Directional boring
- Turf equipment
- Skid Steer loaders
- Fairway mowers
- Harvesters
- Mowing
- Snow removal
- Sprayers
- Trencher
- Wood products
- Grinders and mixers
- Forestry equipment
- Irrigation reels



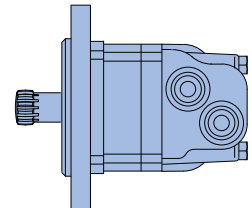
Standard Motor

The standard motor mounting flange is located as close to the output shaft as possible. This type of mounting supports the motor close to the shaft load. This mounting flange is also compatible with many standard gear boxes.



Wheel Motor

The wheel motor mounting flange is located near the center of the motor which permits part or all of the motor to be located inside the wheel or roller hub. In traction drive applications, loads can be positioned over the motor bearings for best bearing life. This wheel motor mounting flange provides design flexibility in many applications.



Bearingless Motor

The bearingless motor has the same drive components as the standard and wheel motors (with the exception that the motor is assembled without the output shaft, bearings and bearing housing). The bearingless motor is especially suited for applications such as gear boxes, winch drives, reel and roll drives. Bearingless motor applications must be designed with a bearing supported internal spline to mate with the bearingless motor drive. Product designs using these hydraulic motors provide considerable cost savings.

C-1

C-2

C-3

C-4

C-5

C-6

Table of Contents

Highlights	C-ii
Features, Benefits and Applications	C-iii
Table of Contents	C-iv

2000 Series

Highlights	C-1-1
Specifications	C-1-2
Performance Data	C-1-3
Dimensions	C-1-8
Installation Information	C-1-14
Shaft Side Load Capacity	C-1-18
Case Pressure and Case Porting	C-1-19
Product Numbers	C-1-23
Model Code	C-1-24

2000 Series Two-Speed

Description	C-1-25
Performance Data	C-1-25
Typical Hydraulic Circuit	C-1-26
Specifications	C-1-27
Dimensions	C-1-28
Product Numbers	C-1-30

4000 Compact Series

Highlights	C-2-1
Specifications	C-2-2
Performance Data	C-2-3
Dimensions	C-2-9
Installation Information	C-2-12
Shaft Side Load Capacity	C-2-17
Case Pressure and Case Port	C-2-18
Model Code	C-2-22

Delta Series

Highlights	C-3-1
Specifications	C-3-2
Performance Data	C-3-3
Dimensions	C-3-9
Installation Information	C-3-10
Model Code	C-3-11

4000 Series

Highlights	C-4-1
Specifications	C-4-2
Performance Data	C-4-3
Dimensions	C-4-8
Installation Information	C-4-11
Shaft Side Load Capacity	C-4-13
Case Pressure and Case Port	C-4-14
Product Numbers	C-4-16
Model Code	C-4-17

6000 Series

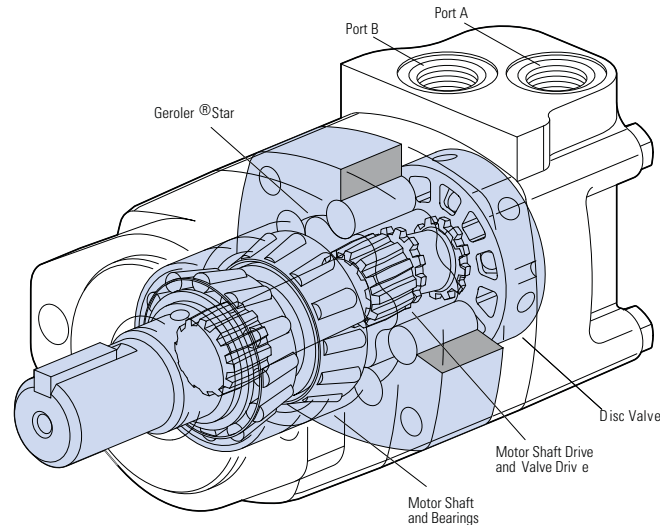
Highlights	C-5-1
Specifications	C-5-2
Performance Data	C-5-3
Dimensions	C-5-8
Installation Information	C-5-12
Shaft Side Load Capacity	C-5-14
Case Pressure and Case Port	C-5-15
Dimensions Ports	C-5-16
Product Numbers	C-5-17
Model Code	C-5-18

10,000 Series

Highlights	C-6-1
Specifications	C-6-2
Performance Data	C-6-3
Dimensions	C-6-5
Installation Information	C-6-8
Side Shaft Load Capacity	C-6-10
Product Numbers	C-6-12
Model Code	C-6-13

2000 Series

Highlights



Features

- Three zone design for longer life and true bi-directionality.
- Bearings that meet the highest standards of the industry
- Options to optimize performance in every application
- Integrated cross-over relief valve option

Benefits

- Easy to design in a system
- Reliability and performance in tough application
- Compact design of the integrated cross-over relief valve option

Applications

- Skid Steer Attachments
- Swing Motor
- Brush Cutters & Mowers
- Harvesting Equipment
- Directional Boring any place pressure relief protection is optimal for system or motor performance and life
- Turf equipment

Description

The popular 2000 Series provides torque up to 7500 lb-in. This proven design is reliable and durable. Eaton has added options that make the motor more flexible to use in a wide variety of applications. The integral cross-over relief valve is the latest innovation in the 2000 series motors.

2000 Series

Geroler Element	10 Displacements
Flow l/min [GPM]	75 [20] Continuous**
	115 [30] Intermittent*
Speed RPM	908 Cont.**
	1042 Inter.*
Pressure bar [PSI]	200 [3000] Cont.**
	300 [4500] Inter.*
Torque Nm [lb-in]	845 [7470] Cont.**
	930 [8225] Inter.*

** Continuous— (Cont.) Continuous rating, motor may be run continuously at these ratings.

* Intermittent— (Inter.) Intermittent operation, 10% of every minute.



Auger



Boring



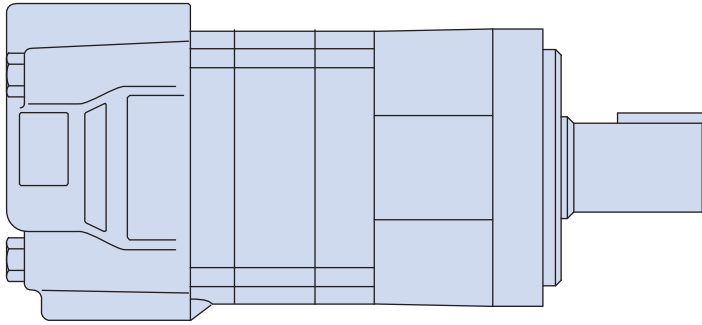
Plastic Injection



Oil and Gas Equipment

2000 Series

Specifications



SPECIFICATION DATA – 2000 SERIES MOTORS

Displ. cm ³ /r [in ³ /r]		80 [4.9]	90 [5.5]	100 [6.2]	130 [8.0]	160 [9.6]	195 [11.9]	245 [14.9]	305 [18.7]	395 [24.0]	490 [29.8]
Max. Speed (RPM)	Continuous	908	836	742	576	477	385	308	246	191	153
	Intermittent	908	1042	924	720	713	577	462	365	287	230
@ Flow											
Flow l/min [GPM]	Continuous	75 [20]	75 [20]	75 [20]	75 [20]	75 [20]	75 [20]	75 [20]	75 [20]	75 [20]	75 [20]
	Intermittent	75 [20]	95 [25]	95 [25]	95 [25]	115 [30]	115 [30]	115 [30]	115 [30]	115 [30]	115 [30]
Torque* Nm [lb-in]	Continuous	235 [2065]	265 [2326]	295 [2630]	385 [3420]	455 [4040]	540 [4780]	660 [5850]	765 [6750]	775 [6840]	845 [7470]
	Intermittent	345 [3035]	390 [3458]	445 [3950]	560 [4970]	570 [5040]	665 [5890]	820 [7250]	885 [7820]	925 [8170]	930 [8225]
Pressure Δ bar [PSI]	Continuous	205 [3000]	205 [3000]	205 [3000]	205 [3000]	205 [3000]	205 [3000]	205 [3000]	205 [3000]	155 [2250]	120 [1750]
	Intermittent	310 [4500]	310 [4500]	310 [4500]	310 [4500]	260 [3750]	260 [3750]	260 [3750]	240 [3500]	170 [2750]	140 [2000]
	Peak	310 [4500]	310 [4500]	310 [4500]	310 [4500]	310 [4500]	310 [4500]	310 [4500]	310 [4500]	205 [3250]	170 [2500]
Weight kg [lb]	Standard or Wheel Mount	9.3 [20.5]	9.3 [20.5]	9.5 [21.0]	9.8 [21.5]	10.0 [22.0]	10.4 [23.0]	10.9 [24.0]	11.3 [25.0]	11.8 [26.0]	12.2 [27.0]
	Bearingless	7.3 [16.0]	7.3 [16.0]	7.5 [16.5]	7.7 [17.0]	7.9 [17.5]	8.4 [18.5]	8.8 [18.5]	9.3 [20.5]	9.8 [21.5]	10.2 [22.5]

Maximum Case Pressure: See case pressure seal limitation graph.

*See shaft torque ratings for limitations.

Note:

To assure best motor life, run motor for approximately one hour at 30% of rated pressure before application to full load. Be sure motor is filled with fluid prior to any load applications.

Maximum Inlet Pressure:

310 bar [4500 PSI]
Do not exceed Δ pressure rating (see chart above).

Maximum Return Pressure:

310 bar [4500 PSI] with case drain line installed.
Do not exceed Δ pressure rating (see chart above).

Δ bar [Δ PSI] :

The true pressure difference between inlet port and outlet port

Continuous Rating:

Motor may be run continuously at these ratings

Intermittent Operation:

10% of every minute

Peak Operation:

1% of every minute

Recommended Fluids:

Premium quality, anti-wear type hydraulic oil with a viscosity of not less than 70 SUS at operating temperature.

Recommended System Operating Temp.:

-34°C to 82°C [-30°F to 180°F]

Recommended Filtration:

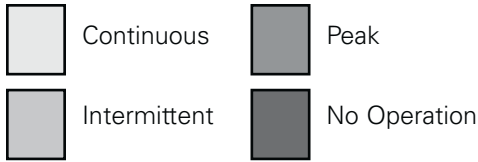
per ISO Cleanliness Code, 4406: 20/18/13

2000 Series

Performance Data

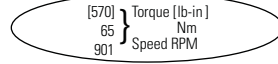
Motors run with high efficiency in all areas designated with a number for torque and speed. For best motor life select a motor to run with a torque and speed range shown in the light shaded area.

Performance data is typical at 120 SUS. Actual data may vary slightly from unit to unit in production.



80 cm³/r [4.9 in³/r]
ΔPressure Bar [PSI]

	[500]	[1000]	[1500]	[2000]	[2500]	[3000]	[3500]	[4000]	[4500]
	35	70	105	140	170	205	240	275	310
[.25]	[210]	[420]							
.95	25 3	45 1							
[.5]	[250]	[500]	[740]						
1.9	30 17	50 8	85 3						
[1]	[330]	[670]	[990]	[1300]	[1550]	[1800]	[1950]	[2110]	
3.8	35 44	75 40	110 37	145 34	175 28	205 22	220 14	240 2	
[2]	[330]	[670]	[995]	[1310]	[1580]	[1840]	[2100]	[2365]	[2630]
7.5	35 90	75 85	110 81	150 78	180 72	210 65	235 57	265 49	295 42
[4]	[325]	[670]	[1005]	[1330]	[1620]	[1920]	[2200]	[2480]	[2765]
15	35 182	75 176	115 170	150 166	185 159	215 152	250 140	280 128	310 117
[6]	[320]	[665]	[1010]	[1340]	[1655]	[1975]	[2270]	[2570]	[2880]
23	35 273	75 267	115 259	150 254	185 246	225 238	255 223	290 207	325 192
[8]	[310]	[660]	[1015]	[1345]	[1685]	[2020]	[2330]	[2640]	[2960]
30	35 365	75 375	115 349	150 341	190 333	230 325	265 306	300 286	335 266
[10]	[300]	[650]	[1010]	[1350]	[1700]	[2050]	[2370]	[2690]	[3010]
38	35 456	75 448	115 439	155 429	190 420	230 411	270 388	305 364	340 341
[12]	[285]	[640]	[1005]	[1350]	[1705]	[2065]	[2390]	[2715]	[3035]
45	30 547	70 537	115 530	155 516	195 507	235 497	270 470	305 442	345 415
[14]	[270]	[625]	[990]	[1340]	[1705]	[2065]	[2395]	[2720]	[3030]
53	30 638	70 629	110 622	150 603	195 593	235 584	270 553	305 521	340 490
[16]	[255]	[610]	[975]	[1330]	[1690]	[2055]	[2385]	[2700]	[2995]
61	30 729	70 720	110 714	150 689	190 679	230 670	270 635	305 599	340 564
[18]	[230]	[590]	[955]	[1310]	[1680]	[2025]	[2355]	[2660]	[2935]
68	25 818	65 810	110 795	150 775	190 765	230 756	265 717	300 677	330 638
[20]	[210]	[570]	[930]	[1290]	[1645]	[1985]	[2305]	[2600]	[2845]
76	25 908	65 901	105 880	145 861	185 851	225 842	260 799	295 755	320 712



90 cm³/r [5.5 in³/r]
ΔPressure Bar [PSI]

	[250]	[500]	[1000]	[1500]	[2000]	[2500]	[3000]	[3500]	[4000]	[4500]
	15	35	70	105	140	170	205	240	275	310
[.25]	[124]	[233]	[471]							
.95	14 5	26 2	53 1							
[.5]	[133]	[273]	[555]	[832]						
1.9	15 15	31 13	63 6	94 2						
[1]	[151]	[358]	[744]	[1091]	[1424]	[1697]	[1952]	[2189]	[2368]	
3.8	17 39	40 39	84 35	123 32	161 28	192 21	221 13	247 12	268 2	
[2]	[151]	[358]	[744]	[1099]	[1439]	[1737]	[2015]	[2293]	[2570]	[2855]
7.5	17 82	40 80	84 76	124 72	163 68	196 61	228 50	259 38	290 29	323 20
[4]	[151]	[350]	[899]	[1113]	[1473]	[1800]	[2132]	[2454]	[2775]	[3100]
15	17 167	40 163	102 158	126 152	166 148	203 139	241 126	277 115	314 102	350 90
[6]	[142]	[348]	[736]	[613]	[1492]	[1851]	[2208]	[2552]	[2898]	[3249]
23	16 250	39 245	83 240	69 233	169 227	209 218	249 203	288 191	327 176	367 161
[8]	[133]	[338]	[729]	[1128]	[1509]	[1890]	[2269]	[2635]	[3000]	[3367]
30	15 35	38 328	82 329	127 314	170 306	214 295	256 281	298 266	339 249	380 231
[10]	[124]	[331]	[724]	[1130]	[1521]	[1912]	[2309]	[2670]	[3036]	[3398]
38	14 418	37 410	82 404	128 395	172 385	216 373	261 361	302 342	343 322	384 302
[12]	[106]	[315]	[714]	[1127]	[1525]	[1924]	[2326]	[2704]	[3082]	[3458]
45	12 502	36 493	81 485	127 477	172 464	217 451	263 441	306 417	348 394	391 372
[14]	[98]	[298]	[706]	[1115]	[1525]	[1924]	[2326]	[2707]	[3080]	[3450]
53	11 585	34 575	80 567	126 559	172 543	217 529	263 521	306 493	348 467	390 431
[16]	[80]	[285]	[688]	[1107]	[1510]	[1907]	[2311]	[2697]	[3070]	[3432]
61	9 670	32 658	78 650	125 641	171 622	215 607	261 610	305 568	347 541	388 513
[18]	[62]	[262]	[673]	[1087]	[1490]	[1892]	[2281]	[2662]	[3030]	[3381]
68	7 753	30 740	76 732	123 719	168 701	214 685	258 680	301 643	342 613	382 583
[20]	[53]	[242]	[644]	[1045]	[1447]	[1850]	[2246]	[2617]	[2988]	[3301]
76	6 836	27 822	73 814	118 796	163 780	209 765	254 748	296 719	338 686	373 653
[22]	[35]	[231]	[639]	[1047]	[1437]	[1836]	[2218]	[2599]	[2981]	
83	4 920	26 916	72 907	118 895	162 876	207 854	251 749	294 803	337 774	
[24]	[18]	[204]	[612]	[1011]	[1366]	[1792]	[2182]	[2573]	[2963]	
91	2 1003	23 1000	69 991	114 978	154 960	202 940	247 918	291 882	335 850	
[25]		[195]	[594]	[994]	[1384]	[1765]	[2173]	[2564]		
95		22 1042	67 1033	112 1020	156 1003	199 984	246 954	290 921		





2000 Series

100 c3m/r [6.3/2r] in
ΔPressure Bar [PSI]

Performance Data

Motors run with high efficiency in all areas designated with a number for torque and speed. For best motor life select a motor to run with a torque and speed range shown in the light shaded area.

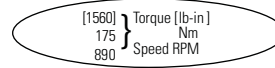
Performance data is typical at 120 SUS. Actual data may vary slightly from unit to unit in production.

	Continuous		Peak
	Intermittent		No Operation

	[250] 15	[500] 35	[1000] 70	[1500] 105	[2000] 140	[2500] 170	[3000] 205	[3500] 240	[4000] 275	[4500] 310
[.25] .95	[140] 15 4	[260] 30 2								
[.5] 1.9	[150] 15 13	[300] 35 9	[620] 70 5	[940] 105 2						
[1] 3.8	[170] 20 35	[390] 45 34	[830] 95 31	[1210] 135 28	[1570] 175 23	[1870] 210 15	[2130] 240 6			
[2] 7.5	[170] 20 73	[390] 45 71	[830] 95 68	[1220] 140 63	[1590] 180 59	[1920] 215 51	[2220] 250 38	[2520] 285 24	[2810] 315 14	[3120] 355 4
[4] 15	[170] 20 148	[380] 45 145	[820] 90 141	[1240] 140 136	[1640] 185 131	[2010] 225 121	[2380] 270 104	[2750] 310 94	[3120] 355 80	[3490] 395 69
[6] 23	[160] 20 222	[380] 45 219	[820] 90 215	[1260] 140 209	[1670] 190 202	[2080] 235 192	[2480] 280 172	[2880] 325 163	[3280] 370 149	[3680] 415 134
[8] 30	[150] 15 297	[370] 40 294	[810] 90 288	[1260] 140 281	[1700] 190 273	[2130] 240 261	[2560] 290 243	[2990] 340 231	[3420] 385 216	[3840] 435 200
[10] 38	[140] 15 371	[368] 40 371	[810] 90 362	[1270] 145 354	[1720] 195 344	[2160] 245 330	[2610] 295 316	[3020] 340 300	[3440] 390 283	[3850] 435 266
[12] 45	[120] 15 445	[350] 40 442	[800] 90 436	[1270] 145 427	[1730] 195 415	[2180] 245 399	[2630] 295 389	[3070] 345 369	[3510] 395 350	[3950] 445 332
[14] 53	[110] 10 519	[330] 35 516	[800] 90 509	[1260] 140 500	[1740] 195 486	[2180] 245 469	[2630] 295 463	[3070] 345 437	[3500] 395 417	[3940] 445 378
[16] 61	[90] 10 594	[320] 35 591	[780] 90 583	[1260] 140 573	[1720] 195 558	[2160] 245 540	[2610] 295 537	[3060] 345 506	[3500] 395 485	[3940] 445 463
[18] 68	[70] 10 668	[300] 35 665	[770] 85 657	[1240] 140 646	[1700] 190 630	[2140] 240 611	[2580] 290 609	[3020] 340 574	[3460] 390 552	[3900] 440 529
[20] 76	[60] 5 742	[280] 30 739	[730] 80 731	[1180] 135 715	[1630] 185 703	[2090] 235 684	[2550] 290 662	[2980] 335 643	[3440] 390 619	[3830] 435 595
[22] 83	[40] 5 816	[260] 30 813	[720] 80 805	[1180] 135 794	[1620] 185 777	[2070] 235 758	[2500] 280 749	[2930] 330 712	[3360] 380 687	
[24] 91	[20] 1.0 890	[230] 230 887	[690] 80 879	[1140] 130 868	[1540] 175 852	[2020] 230 834	[2460] 280 814	[2900] 330 782	[3340] 375 754	
[25] 95		[220] 25 924	[670] 75 916	[1120] 125 905	[1560] 175 890	[1990] 225 873	[2450] 275 846	[2890] 325 817		

130 c3m/r [8.3/0r] in
ΔPressure Bar [PSI]

	[250] 15	[500] 35	[1000] 70	[1500] 105	[2000] 140	[2500] 170	[3000] 205	[3500] 240	[4000] 275	[4500] 310
[.25] .95	[170] 20 3									
[.5] 1.9	[190] 20 12	[410] 45 8	[870] 100 2							
[1] 3.8	[230] 25 28	[510] 60 27	[1070] 120 23	[1580] 180 19	[2050] 230 16	[2520] 285 13	[2920] 330 9	[3310] 375 3		
[2] 7.5	[230] 25 56	[510] 60 56	[1080] 120 53	[1600] 180 47	[2090] 235 42	[2580] 290 39	[2930] 330 36	[3320] 375 28	[3640] 410 21	[3990] 450 13
[4] 15	[220] 25 114	[500] 55 113	[1080] 120 111	[1620] 185 104	[2150] 245 97	[2660] 300 92	[3100] 350 92	[3540] 400 85	[3980] 450 77	[4420] 500 70
[6] 23	[220] 25 172	[490] 55 171	[1080] 120 169	[1640] 185 161	[2190] 245 153	[2740] 310 149	[3260] 370 146	[3770] 425 132	[4280] 485 118	[4800] 540 104
[8] 30	[200] 25 230	[480] 55 224	[1080] 120 222	[1650] 185 219	[2220] 250 210	[2780] 315 204	[3310] 375 201	[3840] 435 192	[4360] 495 184	[4890] 550 175
[10] 38	[180] 20 287	[470] 55 286	[1070] 120 282	[1650] 185 276	[2230] 250 269	[2800] 315 261	[3420] 385 255	[3940] 445 243	[4450] 505 231	[4970] 560 219
[12] 45	[160] 20 345	[460] 50 344	[1060] 120 338	[1640] 185 333	[2230] 250 327	[2800] 315 317	[3350] 380 307	[3910] 440 295	[4440] 500 284	[4960] 560 272
[14] 53	[150] 15 403	[440] 50 402	[1030] 115 395	[1620] 185 391	[2220] 250 385	[3000] 340 373	[3350] 380 360	[3910] 440 348	[4440] 500 336	
[16] 61	[130] 15 461	[420] 45 460	[1010] 115 452	[1600] 180 447	[2200] 250 443	[2780] 315 430	[3330] 375 411	[3890] 440 397	[4440] 500 384	
[18] 68	[110] 10 518	[400] 45 517	[990] 110 509	[1580] 180 504	[2160] 245 500	[2750] 310 484	[3300] 375 471	[3860] 435 456	[4410] 500 440	
[20] 76	[90] 10 576	[380] 45 575	[960] 110 568	[1550] 175 560	[2130] 240 551	[2710] 305 539	[3280] 370 524	[3840] 435 508		
[22] 83	[60] 5 634	[350] 40 633	[940] 105 624	[1520] 170 619	[2100] 235 604	[2680] 305 597	[3250] 365 579	[3820] 430 560		
[24] 91	[40] 5 692	[325] 35 691	[920] 105 682	[1490] 170 676	[2070] 235 665	[2650] 300 651	[3220] 365 633	[3780] 425 616		
[25] 95	[20] 1.0 720	[310] 35 719	[900] 100 712	[1480] 165 705	[2050] 230 692	[2630] 295 679	[3200] 360 682	[3700] 420 656		



2000 Series

Performance Data

Motors run with high efficiency in all areas designated with a number for torque and speed. For best motor life select a motor to run with a torque and speed range shown in the light shaded area.

Performance data is typical at 120 SUS. Actual data may vary slightly from unit to unit in production.

	Continuous		Peak
	Intermittent		No Operation

160 c3m/r [9.3/6r]in
ΔPressure Bar [PSI]

	[250]	[500]	[1000]	[1500]	[2000]	[2500]	[3000]	[3500]	[3750]
	15	35	70	105	140	170	205	240	260
[.25]	[200]								
.95	25								
[.5]	[240]	[490]	[990]	[1570]	[2140]				
1.9	25	55	110	175	240				
[1]	[280]	[590]	[1170]	[1730]	[2290]	[2830]	[3330]	[3820]	[4070]
3.8	30	65	130	195	260	320	375	430	460
[2]	[300]	[610]	[1210]	[1790]	[2350]	[2920]	[3480]	[4050]	[4330]
7.5	35	70	135	200	265	330	395	460	490
[4]	[320]	[630]	[1260]	[1890]	[2530]	[3170]	[3820]	[4460]	[4780]
15	35	70	140	215	285	360	430	505	540
[6]	[320]	[650]	[1300]	[1960]	[2620]	[3280]	[3940]	[4600]	[4930]
23	35	75	145	220	295	370	445	520	560
[8]	[310]	[650]	[1330]	[2010]	[2670]	[3330]	[4000]	[4660]	[4990]
30	35	75	150	225	300	375	450	525	565
[10]	[290]	[640]	[1340]	[2030]	[2690]	[3350]	[4020]	[4680]	[5030]
38	35	70	150	230	305	380	455	530	570
[12]	[270]	[620]	[1320]	[2030]	[2700]	[3370]	[4040]	[4710]	[5040]
45	30	70	150	230	305	380	455	530	570
[14]	[240]	[650]	[1300]	[2020]	[2690]	[3360]	[4030]	[4700]	
53	25	65	145	230	305	380	455	530	
[16]	[220]	[570]	[1270]	[1980]	[2660]	[3330]	[4010]	[4680]	
61	25	65	145	225	300	375	450	525	
[18]	[190]	[540]	[1240]	[1960]	[2640]	[3320]	[3990]		
68	20	60	140	220	300	375	450		
[20]	[170]	[510]	[1210]	[1920]	[2600]	[3270]	[3940]		
76	20	60	135	215	300	375	445		
[22]	[150]	[480]	[1170]	[1880]	[2560]	[3230]	[3900]		
83	15	55	130	210	295	370	445		
[24]	[120]	[450]	[1150]	[1860]	[2570]	[3260]	[3900]		
91	15	50	130	210	290	370	440		
[25]	[90]	[440]	[1140]	[1840]	[2560]	[3230]	[3880]		
95	10	50	130	210	290	365	440		
[30]		[330]	[1040]	[1750]	[2470]	[3140]	[3800]		
114		35	120	200	280	355	430		

Flow LPM [GPM]

C-1

195 c3m/r [11.3/9r]in
ΔPressure Bar [PSI]

	[250]	[500]	[750]	[1000]	[1250]	[1500]	[1750]	[2000]	[2250]	[2500]	[2750]	[3000]	[3250]	[3500]	[3750]
	155	35	50	70	85	105	120	140	155	170	190	205	225	240	260
[.25]	[240]	[590]													
.95	25	65													
[.5]	[290]	[640]	[990]	[1340]											
1.9	35	70	110	150											
[1]	[380]	[730]	[1100]	[1430]	[1790]	[2120]	[2450]	[2720]	[2990]	[3260]	[3540]	[3810]	[4080]	[4350]	[4620]
3.8	45	80	125	160	200	200	275	305	340	370	400	430	460	490	520
[2]	[390]	[755]	[1135]	[1470]	[1860]	[2195]	[2535]	[2880]	[3120]	[3680]	[4090]	[4500]	[4800]	[5100]	[5400]
7.5	45	85	130	165	210	250	285	325	355	415	460	510	540	575	610
[4]	[405]	[795]	[1185]	[1540]	[1970]	[2310]	[2675]	[3040]	[3420]	[3790]	[4160]	[4520]	[4890]	[5260]	[5630]
15	45	90	135	175	225	260	300	345	385	430	470	510	550	595	635
[6]	[405]	[815]	[1220]	[1590]	[2035]	[2395]	[2780]	[3170]	[3560]	[3940]	[4320]	[4700]	[5070]	[5450]	[5830]
23	45	90	140	180	230	270	315	360	400	445	490	530	570	615	660
[8]	[400]	[820]	[1230]	[1625]	[2065]	[2450]	[2850]	[3260]	[3670]	[4040]	[4410]	[4780]	[5150]	[5520]	[5890]
30	45	90	140	185	235	275	320	370	415	455	500	540	580	625	665
[10]	[380]	[810]	[1230]	[1645]	[2095]	[2480]	[2895]	[3310]	[3730]	[4100]	[4470]	[4840]	[5210]	[5590]	
38	45	95	140	185	235	280	325	375	420	465	505	545	590	630	
[12]	[355]	[790]	[1215]	[1650]	[2100]	[2485]	[2915]	[3340]	[3760]	[4120]	[4480]	[4850]			
45	40	90	135	185	235	280	330	375	425	465	505	550			
[14]	[320]	[765]	[1190]	[1645]	[2090]	[2475]	[2915]	[3350]	[3770]	[4130]	[4480]	[4860]			
53	35	85	135	185	235	280	330	380	425	465	505	550			
[16]	[290]	[730]	[1160]	[1625]	[2070]	[2455]	[2900]	[3340]	[3760]	[4130]	[4490]	[4860]			
61	30	80	130	185	235	275	330	375	425	465	505	550			
[18]	[290]	[690]	[1120]	[1590]	[2035]	[2420]	[2870]	[3310]	[3730]	[4100]	[4480]				
68	30	80	125	180	230	270	325	375	420	465	505				
[20]	[210]	[650]	[1080]	[1550]	[1995]	[2380]	[2830]	[3270]	[3690]	[4070]	[4450]				
76	25	75	120	175	225	270	320	370	415	460	500				
[22]	[170]	[610]	[1040]	[1500]	[1955]	[2340]	[2785]	[3220]	[3640]	[4050]					
83	20	70	120	170	220	265	315	365	410	460					
[24]	[135]	[570]	[1000]	[1440]	[1910]	[2300]	[2710]	[3150]	[3580]	[3980]					
91	15	65	115	165	215	260	310	360	405	450					
[25]	[120]	[550]	[980]	[1410]	[1890]	[2280]	[2750]	[3150]	[3570]	[3960]					
95	15	60	110	160	215	260	315	355	405	445					
[30]		[420]	[860]	[1290]	[1700]	[2120]	[2530]	[2940]	[3400]						
114		45	95	145	190	240	285	330	385						





330 } Torque [lb-in]
713 } Nm
35 } Speed RPM

2000 Series

Performance Data

Motors run with high efficiency in all areas designated with a number for torque and speed. For best motor life select a motor to run with a torque and speed range shown in the light shaded area.

Performance data is typical at 120 SUS. Actual data may vary slightly from unit to unit in production.

	Continuous		Peak
	Intermittent		No Operation

245 c3m/r [14.3/9r Jin]

ΔPressure Bar [PSI]

	[250]	[500]	[750]	[1000]	[1250]	[1500]	[1750]	[2000]	[2250]	[2500]	[2750]	[3000]	[3250]	[3500]	[3750]
	155	35	50	70	85	105	120	140	155	170	190	205	225	240	260
[.5]	[410]	[850]													
1.9	45 4	95 2													
[1]	[450]	[930]	[1420]	[1850]	[2320]	[2780]	[3250]	[3650]	[4100]	[4540]	[4980]	[5430]	[5870]	[6310]	[6950]
3.8	50 14	105 13	160 12	210 11	260 10	315 9	365 8	410 6	465 5	515 4	560 4	615 3	665 2	715 1	
[2]	[460]	[960]	[1460]	[1900]	[2400]	[2860]	[3340]	[3780]	[4320]	[4770]	[5210]	[5660]	[6110]	[6570]	[6950]
7.5	50 29	110 28	165 27	215 26	270 25	325 23	375 22	425 20	490 19	540 18	590 17	640 15	690 14	740 12	785 10
[4]	[470]	[1000]	[1540]	[1980]	[2510]	[3010]	[3480]	[3980]	[4450]	[4910]	[5380]	[5850]	[6320]	[6780]	[7250]
15	55 60	115 59	175 58	225 56	285 54	340 53	395 51	450 49	505 48	555 47	610 47	660 46	715 45	765 44	820 42
[6]	[460]	[1020]	[1550]	[2040]	[2580]	[3110]	[3590]	[4120]	[4580]	[5050]	[5520]	[5980]	[6440]	[6910]	
23	50 91	115 90	175 89	230 87	290 84	350 83	405 81	465 78	515 76	570 73	625 71	680 69	730 67	780 65	
[8]	[460]	[1010]	[1560]	[2080]	[2630]	[3170]	[3670]	[4210]	[4680]	[5160]	[5630]	[6110]	[6590]		
30	50 122	115 121	175 120	235 118	295 115	360 113	415 111	475 108	530 106	585 104	635 102	690 101	745 99		
[10]	[440]	[1000]	[1550]	[2110]	[2650]	[3200]	[3730]	[4250]	[4730]	[5210]	[5720]	[6230]			
38	50 153	115 152	175 150	240 148	300 146	360 144	420 142	480 139	535 137	590 135	645 133	705 130			
[12]	[410]	[960]	[1530]	[2100]	[2640]	[3190]	[3760]	[4260]	[4740]	[5220]	[5730]				
45	45 184	110 183	175 182	235 180	300 177	360 175	425 173	480 170	535 168	600 166	665 162				
[14]	[380]	[910]	[1500]	[2080]	[2600]	[3160]	[3760]	[4230]	[4710]	[5190]					
53	40 215	105 214	170 213	235 211	295 209	355 207	425 204	480 201	530 198	585 195					
[16]	[340]	[860]	[1460]	[2040]	[2570]	[3120]	[3740]	[4180]	[4660]	[5140]					
61	40 246	95 245	165 244	230 242	290 240	355 238	425 235	470 232	525 227	580 223					
[18]	[290]	[810]	[1420]	[2000]	[2520]	[3060]	[3700]	[4130]	[4610]	[5090]					
68	30 277	90 276	160 275	225 273	285 271	345 269	420 266	465 263	520 258	575 253					
[20]	[250]	[800]	[1350]	[1910]	[2460]	[3010]	[3630]	[4110]	[4610]						
76	30 308	90 306	155 304	215 302	280 300	340 298	410 295	465 291	520 288						
[22]	[200]	[710]	[1300]	[1870]	[2390]	[2940]	[3560]	[4010]	[4510]						
83	25 339	80 337	145 337	210 334	270 332	330 330	400 327	455 323	510 318						
[24]	[150]	[670]	[1240]	[1790]	[2330]	[2880]	[3460]	[3960]	[4460]						
91	15 370	75 369	140 367	200 364	265 362	325 360	390 357	445 353	505 344						
[25]	[120]	[660]	[1210]	[1750]	[2300]	[2860]	[3410]	[3950]	[4470]						
95	15 385	75 384	135 382	200 379	260 377	325 375	385 372	445 367	505 363						
[30]		[520]	[1080]	[1620]	[2120]	[2720]	[3260]	[3790]							
114		60 462	120 460	185 458	245 456	305 453	370 450	430 447							

305 c3m/r [18.3/7r Jin]

ΔPressure Bar [PSI]

	[250]	[500]	[750]	[1000]	[1250]	[1500]	[1750]	[2000]	[2250]	[2500]	[2750]	[3000]	[3250]	[3500]
	155	35	50	70	85	105	120	140	155	170	190	205	225	240
[.5]	[500]	[1050]												
1.9	55 4	120 2												
[1]	[610]	[1180]	[1750]	[2330]	[2870]	[3440]	[3930]	[4410]	[4900]	[5380]				
3.8	70 12	135 11	200 11	260 10	325 10	390 9	445 8	500 6	555 3	610 1				
[2]	[620]	[1210]	[1800]	[2400]	[2970]	[3510]	[4050]	[4600]	[5140]	[5680]	[6220]	[6750]	[7290]	[7820]
7.5	70 24	135 24	205 23	270 22	335 22	395 20	460 19	520 18	580 17	640 15	705 13	765 11	825 8	885 6
[4]	[680]	[1250]	[1880]	[2500]	[3120]	[3690]	[4260]	[4840]	[5410]	[5980]	[6550]	[7120]	[7690]	
15	75 49	140 49	210 48	280 47	355 47	415 45	480 43	545 42	610 40	675 38	740 36	805 34	870 33	
[6]	[620]	[1270]	[1920]	[2560]	[3230]	[3810]	[4390]	[4970]	[5560]	[6130]	[6710]	[7290]		
23	70 74	145 74	215 72	290 72	365 71	430 69	495 66	560 64	630 61	695 58	760 55	825 52		
[8]	[600]	[1270]	[1940]	[2600]	[3290]	[3880]	[4470]	[5070]	[5660]	[6250]	[6840]			
30	70 98	145 98	220 97	295 96	370 95	440 93	505 90	575 86	640 83	705 80	775 77			
[10]	[570]	[1250]	[1940]	[2610]	[3310]	[3920]	[4530]	[5150]	[5760]	[6370]				
38	65 123	140 122	220 121	295 120	375 119	440 117	510 113	580 110	650 106	720 102				
[12]	[530]	[1220]	[1920]	[2600]	[3300]	[3920]	[4530]	[5150]	[5760]	[6370]				
45	60 148	140 147	215 145	295 144	375 143	440 142	510 138	580 133	650 128	720 124				
[14]	[480]	[1180]	[1870]	[2560]	[3260]	[3900]	[4510]	[5120]	[5730]					
53	55 172	135 172	210 170	290 168	370 167	440 165	510 160	580 156	645 152					
[16]	[430]	[1120]	[1820]	[2500]	[3210]	[3870]	[4480]	[5080]	[5690]					
61	50 196	125 196	205 194	280 192	365 191	440 188	505 183	575 178	645 174					
[18]	[370]	[1060]	[1760]	[2440]	[3140]	[3800]	[4420]	[5050]						
68	40 221	120 221	200 218	275 217	355 215	440 212	500 207	570 202						
[20]	[320]	[980]	[1680]	[2360]	[3050]	[3710]	[4370]	[5020]						
76	35 246	110 245	190 243	265 241	345 239	420 236	495 231	565 226						
[22]	[240]	[920]	[1620]	[2300]	[2990]	[3560]	[4190]	[4820]						
83	25 271	105 270	185 268	260 266	340 263	400 260	475 258	545 255						
[24]	[180]	[870]	[1550]	[2240]	[2920]	[3420]	[4020]	[4630]						
91	20 296	100 294	175 293	255 290	330 288	385 285	455 283	525 280						
[25]	[150]	[840]	[1520]	[2200]	[2890]	[3340]	[3930]	[4520]						
95	15 308	95 307	170 305	250 303	325 300	375 298	445 295	510 293						
[30]		[680]	[1360]	[2040]	[2720]	[3140]	[3810]							
114		75 365	155 362	230 360	305 357	355 356	430 352							

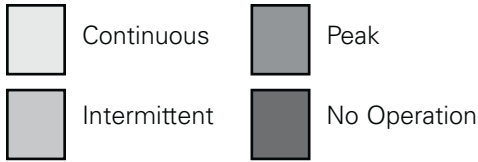
[3260] } Torque [lb-in]
370 } Nm
450 } Speed RPM

2000 Series

Performance Data

Motors run with high efficiency in all areas designated with a number for torque and speed. For best motor life select a motor to run with a torque and speed range shown in the light shaded area.

Performance data is typical at 120 SUS. Actual data may vary slightly from unit to unit in production.

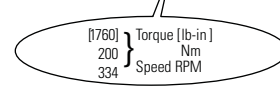


490 c3m/r [29.3/8r jin]
ΔPressure Bar [PSI]

	[250]	[500]	[750]	[1000]	[1250]	[1500]	[1750]	[2000]
	155	35	50	70	85	105	120	140
[.5]	[670]	[1600]						
1.9	75 2	180 1						
[1]	[920]	[2000]	[2990]	[3900]	[4880]			
3.8	105 7	225 6	340 5	440 4	550 2			
[2]	[950]	[2060]	[3110]	[4080]	[5110]	[6320]		
7.5	105 14	235 13	350 12	460 10	575 9	715 7		
[4]	[980]	[2130]	[3230]	[4270]	[5350]	[6370]	[7380]	[7980]
15	110 30	240 29	365 28	480 27	605 26	720 24	835 22	900 20
[6]	[980]	[2120]	[3230]	[4300]	[5370]	[6420]	[7470]	[8225]
23	110 45	240 44	365 43	485 42	605 41	725 39	845 37	930 35
[8]	[980]	[2110]	[3220]	[4330]	[5400]	[6470]	[7550]	
30	110 61	240 60	365 59	490 58	610 57	730 55	855 52	
[10]	[920]	[2050]	[3170]	[4300]	[5390]	[6460]	[7550]	
38	105 76	230 75	360 74	485 73	610 72	730 70	855 68	
[12]	[860]	[1990]	[3120]	[4260]	[5370]	[6460]	[7560]	
45	95 91	225 90	355 90	480 89	605 87	730 85	855 84	
[14]	[790]	[1930]	[3055]	[4185]	[5300]	[6400]		
53	90 106	220 105	345 105	475 104	600 102	725 100		
[16]	[720]	[1870]	[2990]	[4110]	[5230]	[6340]		
61	80 122	210 121	340 120	465 119	590 118	715 116		
[18]	[630]	[1770]	[2890]	[4020]	[5140]	[6260]		
68	70 137	200 136	325 135	455 134	580 133	705 131		
[20]	[550]	[1670]	[2800]	[3940]	[5060]	[6180]		
76	60 153	190 152	315 151	445 150	570 149	700 146		
[22]	[450]	[1570]	[2700]	[3830]	[4960]	[6070]		
83	50 168	175 168	305 167	435 165	560 164	685 161		
[24]	[360]	[1480]	[2600]	[3730]	[4860]	[5970]		
91	40 184	165 184	295 183	420 181	550 179	675 177		
[26]	[270]	[1390]	[2510]	[3640]	[4770]			
98	30 199	155 195	285 194	410 192	540 190			
[28]		[1260]	[2370]	[3520]	[4630]			
106		140 212	270 211	400 209	525 207			
[30]		[1130]	[2240]	[3400]	[4500]			
114		125 230	255 229	385 277	510 224			

395 c3m/r [24.3/0r jin]
ΔPressure Bar [PSI]

	[250]	[500]	[750]	[1000]	[1250]	[1500]	[1750]	[2000]	[2250]	[2500]	[2750]
	155	35	50	70	85	105	120	140	155	170	190
[.5]	[560]	[1310]									
1.9	65 4	150 3									
[1]	[770]	[1540]	[2290]	[3080]	[3780]	[4480]	[5170]	[5880]	[6580]	[7270]	[7980]
3.8	85 9	175 9	260 9	350 8	430 8	505 7	585 7	665 6	745 5	820 4	900 3
[2]	[790]	[1580]	[2360]	[3180]	[3930]	[4680]	[5430]	[6180]	[6840]	[7500]	[8170]
7.5	90 18	180 18	265 18	360 17	445 17	530 16	615 15	700 14	775 13	845 11	925 10
[4]	[810]	[1660]	[2480]	[3320]	[4130]	[4940]	[5740]	[6550]	[7230]	[7880]	
15	90 37	190 37	280 37	375 36	465 36	560 35	650 34	740 33	815 31	890 28	
[6]	[820]	[1700]	[2550]	[3420]	[4250]	[5080]	[5920]	[6750]	[7420]	[8000]	
23	90 57	190 56	290 56	385 55	480 54	575 52	670 50	765 49	840 47	905 45	
[8]	[820]	[1700]	[2580]	[3460]	[4300]	[5130]	[5960]	[6800]			
30	90 76	190 75	290 75	390 74	485 73	580 71	675 69	770 68			
[10]	[800]	[1700]	[2590]	[3480]	[4320]	[5160]	[6000]	[6840]			
38	90 95	190 94	295 94	395 93	490 92	585 90	680 88	775 86			
[12]	[770]	[1680]	[2570]	[3470]	[4310]	[5150]	[5990]	[6830]			
45	85 114	190 113	290 113	390 112	485 111	580 109	675 106	770 103			
[14]	[740]	[1640]	[2530]	[3430]	[4280]	[5120]	[5960]				
53	85 133	185 132	285 132	390 131	485 129	580 127	675 124				
[16]	[690]	[1590]	[2480]	[3370]	[4220]	[5060]	[5910]				
61	80 153	180 152	280 152	380 150	475 149	570 146	670 144				
[18]	[640]	[1530]	[2420]	[3310]	[4160]	[5010]	[5870]				
68	70 172	170 171	275 171	375 170	470 169	565 167	665 164				
[20]	[580]	[1470]	[2370]	[3260]	[4110]	[4960]	[5820]				
76	65 191	165 190	270 190	370 189	465 188	560 186	660 184				
[22]	[510]	[1390]	[2290]	[3170]	[4030]	[4880]					
83	60 210	155 209	260 209	360 208	455 207	550 206					
[24]	[440]	[1330]	[2220]	[3100]	[3950]	[4800]					
91	50 230	150 229	250 228	350 227	445 225	540 224					
[26]	[350]	[1240]	[2130]	[3020]	[3880]	[4730]					
98	40 249	140 248	240 247	340 246	440 244	535 242					
[28]	[270]	[1150]	[2050]	[2930]	[3790]	[4650]					
106	30 268	130 267	230 265	330 264	430 261	525 259					
[30]	[180]	[1060]	[1960]	[2850]	[3710]	[4570]					
114	20 287	120 286	220 284	320 283	420 281	515 277					
[35]		[840]	[1760]	[2640]	[3480]						
132		95 335	200 334	300 333	395 332						



C-1

2000 Series

Dimensions

Standard Mount

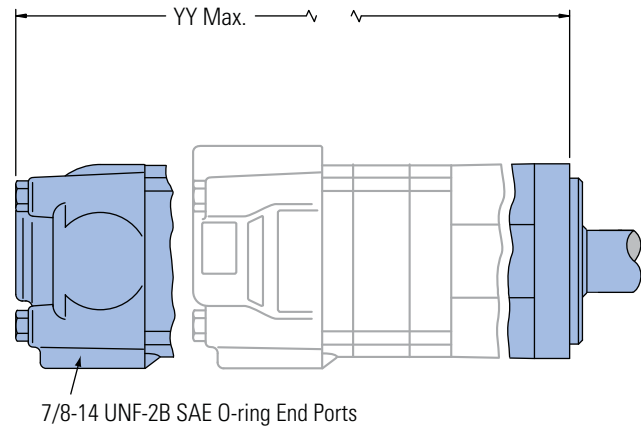
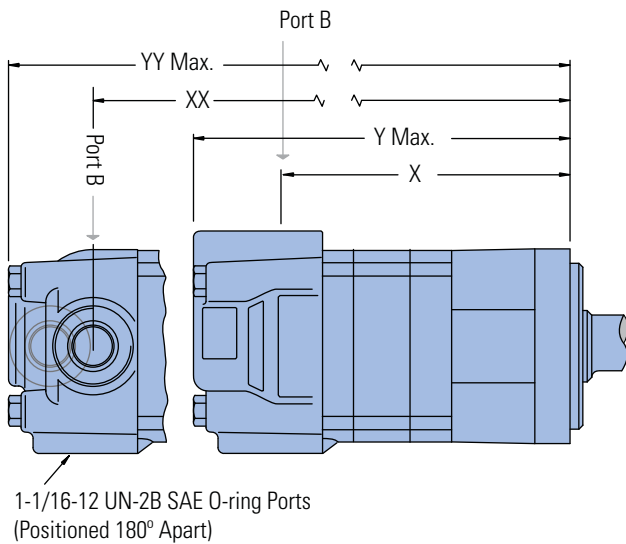
Ports

- 7/8 -14 UNF-2B SAE O-ring Staggered Ports (2)
- 7/16 -20 UNF-2B SAE O-ring Case Drain Port (1) or
- 1 1/16 -12 UN-2B SAE O-ring Ports (Positioned 180° Apart) (2)
- 7/16 -20 UNF-2B SAE O-ring Case Drain Port (1) or
- 7/8 -14 UNF-2B SAE O-ring End Ports (2)
- 7/16 -20 UNF-2B SAE O-ring Case Drain Port (1) or
- G 1/2 (BSP) Staggered Ports (2)
- G 1/4 (BSP) Case Drain Port (1) or
- Manifold Mount
- 7/16 -20 UNF-2B SAE O-ring Case Drain Port (1)

Standard Rotation Viewed from Shaft End

- Port A Pressurized — CW
- Port B Pressurized — CCW

Standard Mount



STANDARD MOUNT MOTOR DIMENSIONS

Displacement cm ³ /r [in ³ /r]	X mm [inch]	Y mm [inch]	XX mm [inch]	YY mm [inch]
80 [4.9]	136,9 [5.39]	184,2 [7.25]	139,2 [5.48]	185,4 [7.30]
100 [6.2]	141,5 [5.57]	189,0 [7.44]	143,8 [5.66]	190,3 [7.49]
130 [8.0]	147,9 [5.83]	195,4 [7.69]	150,2 [5.92]	196,6 [7.74]
160 [9.6]	147,9 [5.83]	195,4 [7.69]	150,2 [5.92]	196,6 [7.74]
195 [11.9]	154,7 [6.09]	202,2 [7.96]	157,0 [6.18]	203,2 [8.00]
245 [14.9]	163,7 [6.45]	211,1 [8.31]	166,0 [6.54]	212,4 [8.36]
305 [18.7]	175,1 [6.90]	222,3 [8.75]	177,4 [6.99]	223,5 [8.80]
395 [24.0]	191,0 [7.52]	238,6 [9.39]	193,3 [7.61]	239,8 [9.44]
490 [29.8]	208,4 [8.21]	255,8 [10.07]	210,7 [8.30]	270,1 [10.12]

2000 Series

Dimensions

Standard Mount with
Integral Relief Valve

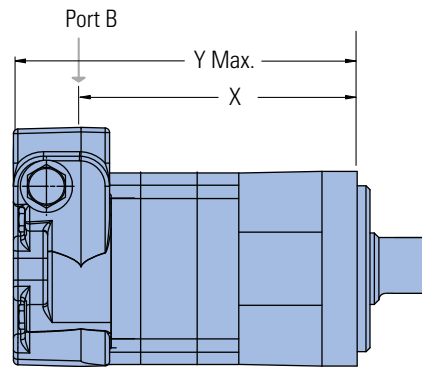
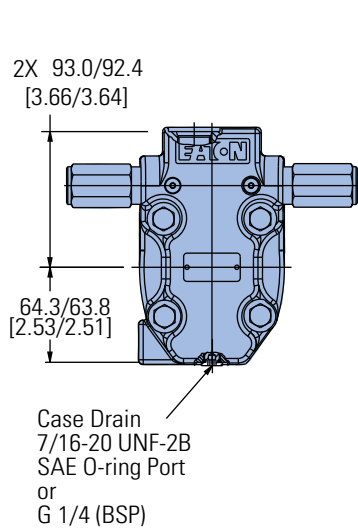
Ports

7/8 -14 UNF-2B SAE O-ring Staggered Ports (2)
7/16 -20 UNF-2B SAE O-ring Case Drain Port (1) or
G 1/2 (BSP) Staggered Ports (2)
G 1/4 (BSP) Case Drain Port (1)

Standard Rotation Viewed from Shaft End

Port A Pressurized — CW
Port B Pressurized — CCW

Standard Mount with Integral Relief Valve



STANDARD MOUNT MOTOR DIMENSIONS

Displacement cm ³ /r [in ³ /r]	X mm [inch]	Y mm [inch]
80 [4.9]	137,0 [5.40]	184,5 [7.26]
100 [6.2]	141,6 [5.58]	189,0 [7.44]
130 [8.0]	147,9 [5.83]	195,4 [7.69]
160 [9.6]	147,9 [5.83]	195,4 [7.69]
195 [11.9]	154,8 [6.10]	202,2 [7.96]
245 [14.9]	163,7 [6.45]	211,1 [8.31]
305 [18.7]	175,1 [6.90]	222,6 [8.76]
395 [24.0]	191,1 [7.53]	238,6 [9.39]
490 [29.8]	208,4 [8.21]	255,8 [10.07]

C-1

2000 Series

Dimensions

Wheel Mount

Ports

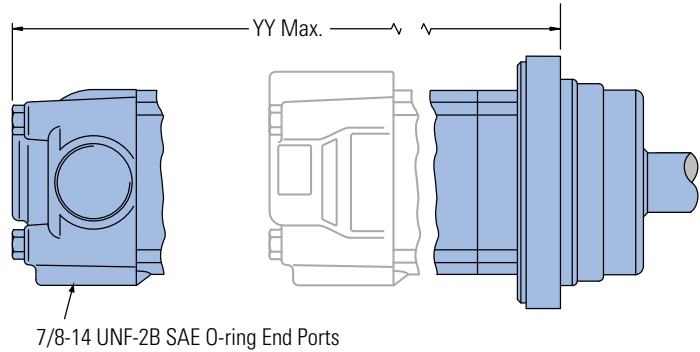
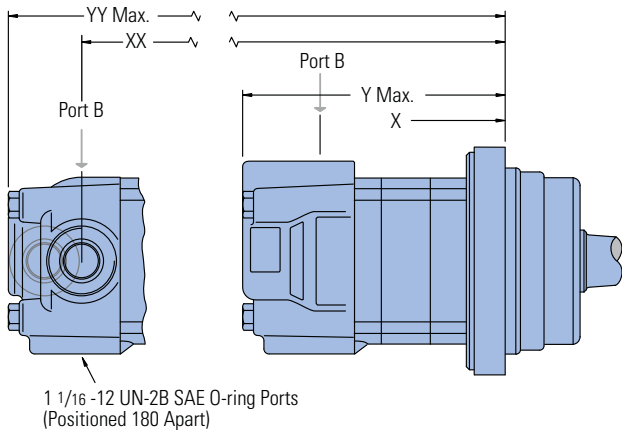
- 7/8 -14 UNF-2B SAE O-ring Staggered Ports (2)
- 7/16 -20 UNF-2B SAE O-ring Case Drain Port (1) or
- 1 1/16 -12 UN-2B SAE O-ring Ports (Positioned 180° Apart) (2)
- 7/16 -20 UNF-2B SAE O-ring Case Drain Port (1) or
- 7/8 -14 UNF-2B SAE O-ring End Ports (2)
- 7/16 -20 UNF-2B SAE O-ring Case Drain Port (1) or
- G 1/2 (BSP) Staggered Ports (2)
- G 1/4 (BSP) Case Drain Port (1) or
- Manifold Mount
- 7/16 -20 UNF-2B SAE O-ring Case Drain Port (1)

Standard Rotation Viewed from Shaft End

Port A Pressurized — CW

Port B Pressurized — CCW

Wheel Mount



WHEEL MOUNT MOTOR DIMENSIONS

Displacement	X	Y	XX	YY
cm ³ /r [in ³ /r]	mm [inch]	mm [inch]	mm [inch]	mm [inch]
80 [4.9]	96,8 [3.81]	144,0 [5.67]	99,1 [3,90]	145,3 [5.72]
100 [6.2]	101,3 [3.99]	148,9 [5.86]	103,6 [4.08]	150,2 [5.91]
130 [8.0]	107,8 [4.25]	155,2 [6.11]	110,1 [4.34]	156,5 [6.16]
160 [9.6]	107,8 [4.25]	155,2 [6.11]	110,1 [4.34]	156,5 [6.16]
195 [11.9]	114,6 [4.51]	161,8 [6.37]	116,8 [4.60]	163,1 [6.42]
245 [14.9]	123,5 [4.87]	171,0 [6.73]	125,8 [4.96]	172,3 [6.78]
305 [18.7]	135,0 [5.32]	182,1 [7.17]	137,4 [5.41]	183,4 [7.22]
395 [24.0]	150,9 [5.94]	198,4 [7.81]	153,2 [6.03]	199,7 [7.86]
490 [29.8]	168,2 [6.63]	215,7 [8.49]	170,7 [6.72]	217,0 [8.54]

2000 Series

Dimensions

Wheel Mount with Integral Relief Valve

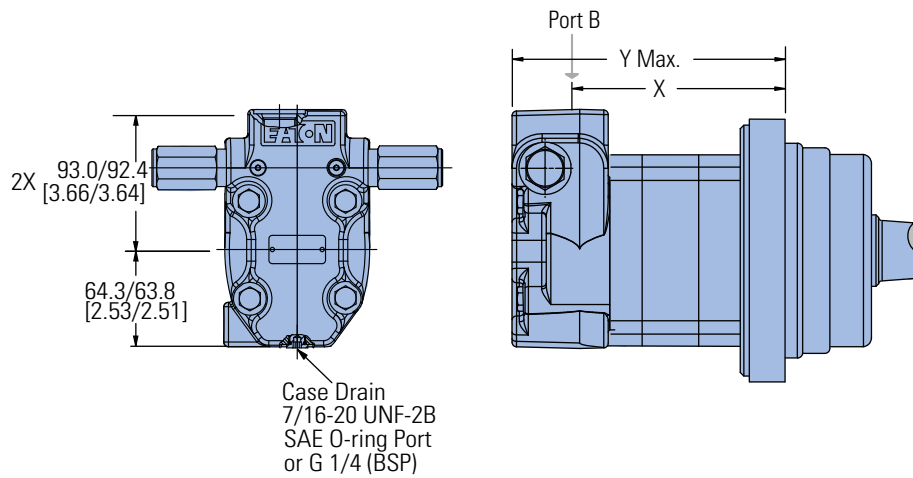
Ports

- 7/8 -14 UNF-2B SAE O-ring Staggered Ports (2)
- 7/16 -20 UNF-2B SAE O-ring Case Drain Port (1)
- G 1/2 (BSP) Staggered Ports (2)
- G 1/4 (BSP) Case Drain Port (1)

Standard Rotation Viewed from Shaft End

- Port A Pressurized — CW
- Port B Pressurized — CCW

Wheel Mount with Integral Relief Valve



WHEEL MOUNT MOTOR DIMENSIONS

Displacement cm ³ /r [in ³ /r]	X mm [inch]	Y mm [inch]
80 [4.9]	96,9 [3.82]	144,3 [5.68]
100 [6.2]	101,4 [4.00]	148,9 [5.86]
130 [8.0]	107,8 [4.25]	155,2 [6.11]
160 [9.6]	107,8 [4.25]	155,2 [6.11]
195 [11.9]	114,6 [4.52]	162,1 [6.38]
245 [14.9]	123,5 [4.87]	171,0 [6.73]
305 [18.7]	135,0 [5.32]	182,4 [7.18]
395 [24.0]	151,0 [5.95]	198,4 [7.81]
490 [29.8]	168,2 [6.63]	215,7 [8.49]

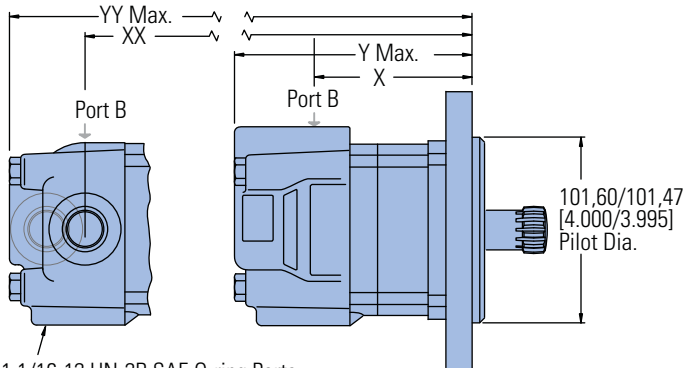
C-1

2000 Series

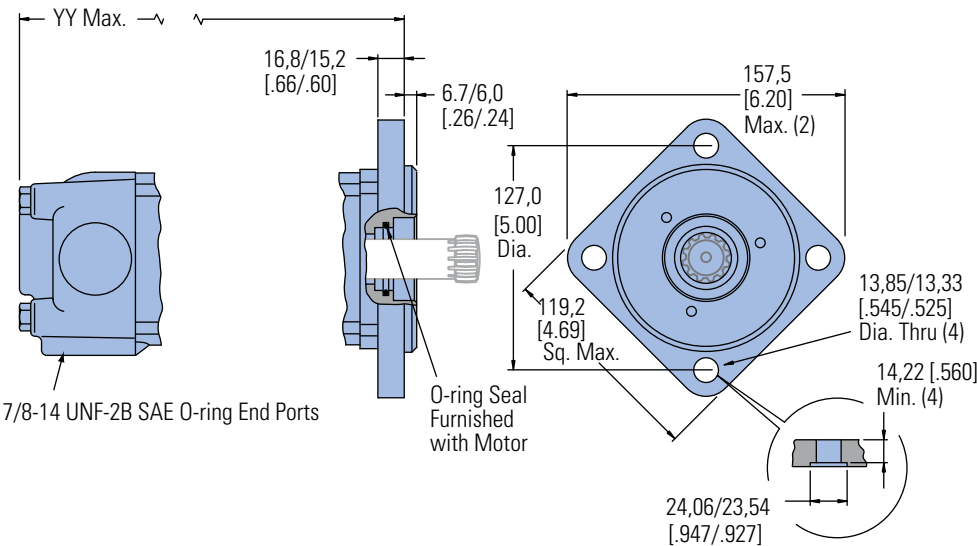
Dimensions

Bearingless

Bearingless



1 1/16-12 UN-2B SAE O-ring Ports
(Positioned 180° Apart)



7/8-14 UNF-2B SAE O-ring End Ports

Ports

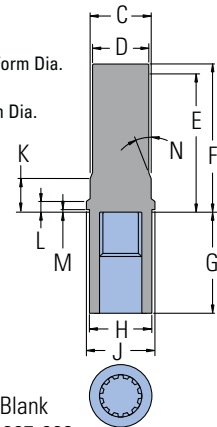
- 7/8 -14 UNF-2B SAE O-ring Staggered Ports (2)
- 7/16 -20 UNF-2B SAE O-ring Case Drain Port (1) or
- 1 1/16 -12 UN-2B SAE O-ring Ports (Positioned 180° Apart) (2)
- 7/16 -20 UNF-2B SAE O-ring Case Drain Port (1) or
- 7/8 -14 UNF-2B SAE O-ring End Ports (2)
- 7/16 -20 UNF-2B SAE O-ring Case Drain Port (1) or
- G 1/2 (BSP) Staggered Ports (2)
- G 1/4 (BSP) Case Drain Port (1) or
- Manifold Mount
- 7/16 -20 UNF-2B SAE O-ring Case Drain Port (1)

Standard Rotation Viewed from Shaft End

- Port A Pressurized — CW
- Port B Pressurized — CCW

MAT'L

- C 35,86 [1.412] Dia.
- D 34,04 [1.340] Dia.
- E 81,0 [3.19] Min. Full Form Dia.
- F 86,1 [3.39] Max.
- G 62,10 [2.445] Full Form Dia.
- H 38,40 [1.512] Dia.
- J 43,7 [1.72] Dia.
- K 25,91 [1.020]
- L 8,25 [.325]
- M 0,89 [.035]
- N 15°



Mating Coupling Blank
Eaton Part No. 13307-003

For 2000 Series Bearingless Motor application information contact your Eaton representative (mating coupling blanks available from Eaton Hydraulics).

Note:

After machining blank, part must be hardened per Eaton specification.

BEARINGLESS MOTOR DIMENSIONS

Displacement cm ³ /r [in ³ /r]	X mm [inch]	Y mm [inch]	XX mm [inch]	YY mm [inch]
80 [4.9]	79,0 [3.11]	126,5 [4.98]	81,3 [3.20]	127,8 [5.03]
100 [6.2]	83,5 [3.29]	131,4 [5.17]	85,8 [3.38]	132,6 [5.22]
130 [8.0]	89,9 [3.54]	137,7 [5.42]	92,2 [3.63]	139,0 [5.47]
160 [9.6]	89,9 [3.54]	137,7 [5.42]	92,2 [3.63]	139,0 [5.47]
195 [11.9]	96,8 [3.81]	144,3 [5.68]	99,0 [3.90]	145,5 [5.73]
245 [14.9]	105,6 [4.16]	153,5 [6.04]	107,9 [4.25]	154,7 [6.09]
305 [18.7]	117,1 [4.61]	164,6 [6.48]	119,4 [4.70]	165,9 [6.53]
395 [24.0]	133,1 [5.24]	180,9 [7.12]	135,4 [5.33]	182,1 [7.17]
490 [29.8]	150,3 [5.92]	198,2 [7.80]	152,7 [6.01]	199,3 [7.85]

2000 Series

Dimensions

Bearingless with Integral Relief Valve

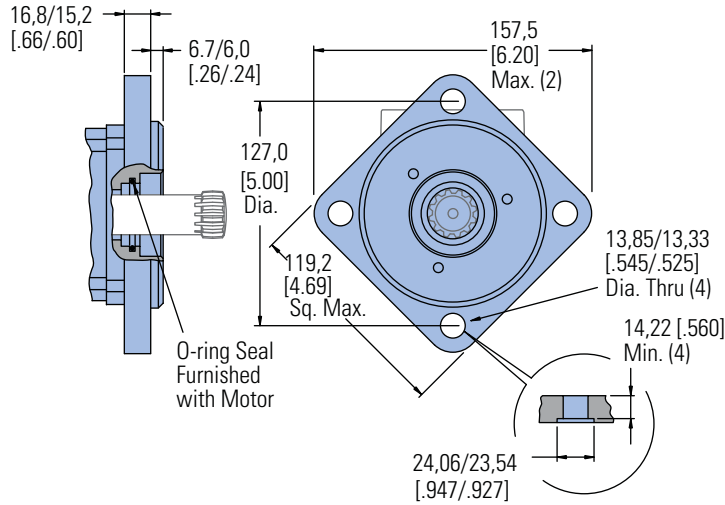
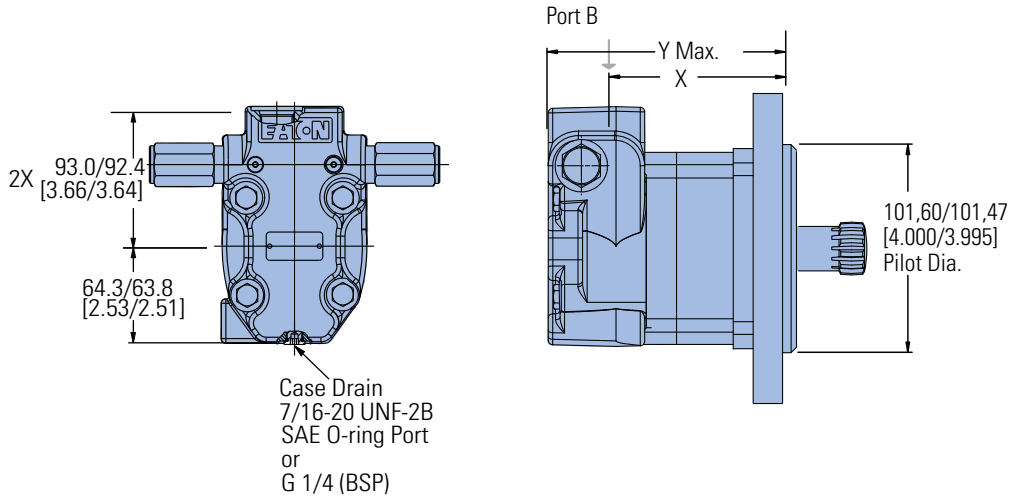
Ports

7/8 -14 UNF-2B SAE O-ring Staggered Ports (2)
 7/16 -20 UNF-2B SAE O-ring Case Drain Port (1)
 G 1/2 (BSP) Staggered Ports (2)
 G 1/4 (BSP) Case Drain Port (1)

Standard Rotation Viewed from Shaft End

Port A Pressurized — CW
 Port B Pressurized — CCW

Bearingless with Integral Relief Valve



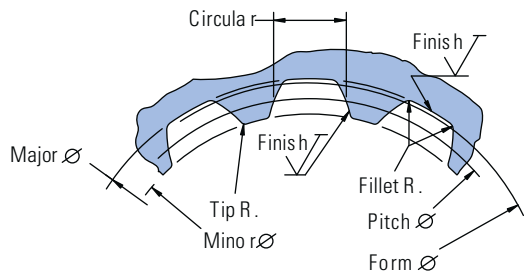
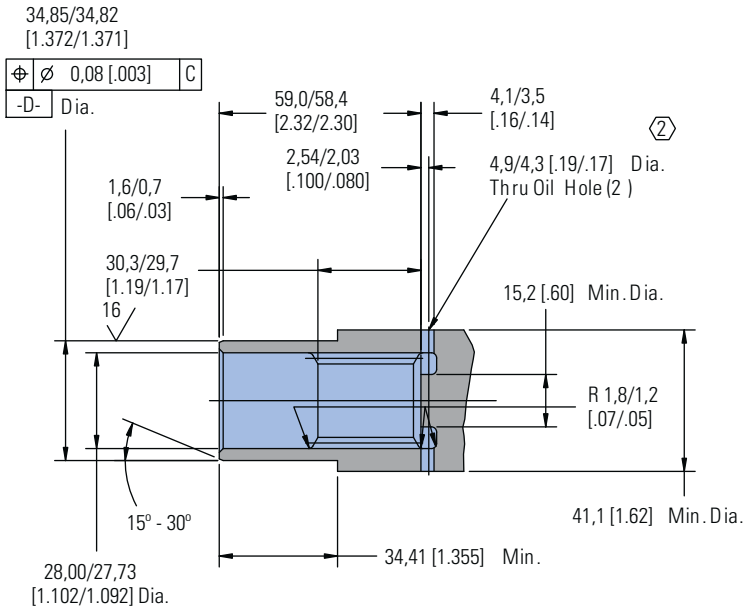
BEARINGLESS MOTORS DIMENSIONS

Displacement cm ³ /r [in ³ /r]	X mm [inch]	Y mm [inch]
80 [4.9]	79,0 [3.11]	126,8 [4.99]
100 [6.2]	83,5 [3.29]	131,4 [5.17]
130 [8.0]	89,9 [3.54]	137,7 [5.42]
160 [9.6]	89,9 [3.54]	137,7 [5.42]
195 [11.9]	96,8 [3.81]	144,6 [5.69]
245 [14.9]	105,6 [4.16]	153,5 [6.04]
305 [18.7]	117,1 [4.61]	164,9 [6.49]
395 [24.0]	133,1 [5.24]	180,9 [7.12]
490 [29.8]	150,3 [5.92]	198,2 [7.80]

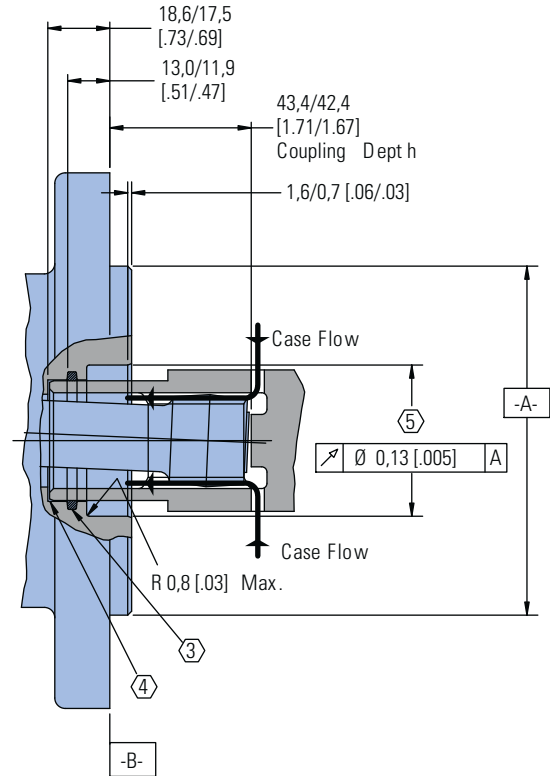
2000 Series

Installation Information

Bearingless



- ① Internal spline in mating part to be per spline data. Specification material to be ASTM A304, 8620H vacuum degassed alloy steel carbonize to a hardness of 59-62 HRc with case depth (to 50HRc) of 0,076 -1,02 [.030 -0.040]. Dimensions apply after heat treat.
- ② Mating part to have critical dimensions as shown. Oil holes must be provided and open for proper oil circulation.
- ③ Seal to be furnished with motor for proper oil circulation thru splines.
- ④ Some means of maintaining clearance between shaft and mounting flange must be provided.
- ⑤ Counterbore designed to adapt a standard sleeve bearing 35,010 -35,040 [1.3784 -1.3795] I.D. by 44,040 -44,070 [1.7339 -1.7350] O.D. (Oilite Bronze Sleeve Bearing AAM3544-22).



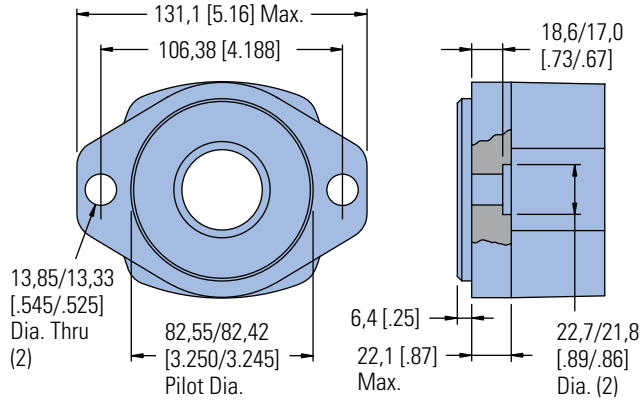
Spline Pitch.....	12/24
Pressure Angle.....	30°
Number of teeth.....	12
Class of Fit.....	Ref. 5
Type of Fit.....	Side
Pitch Diameter.....	Ref. 25,400000 [1.0000000]
Base Diameter.....	Ref. 21,997045 [.8660254] $\text{C} \varnothing$ 0,21 [.008] D
Major Diameter.....	(27,74 [1.092] Max. 27,59 [1.086] Min.)
Minor Diameter.....	23,097 - 23,224 [.9093 - .9143]
Form Diameter, Min.....	29,93 [1.060]
Fillet Radius.....	0,64 - 0,76 [.025 - .030]
Tip Radius.....	0,25 - 0,38 [.010 - .015]
Finish.....	1,6 (63)
Involute Profile Variation.....	+0,000 -0,025 [+0.000 -0.010]
Total Index Variation.....	0,038 [.0015]
Lead Variation.....	0,013 [.0005]
Circular Space Width:	
Maximum Actual.....	4,318 [1.700]
Minimum Effective.....	4,216 [1.660]
Maximum Effective.....	Ref. 4,270 [1.681]
Minimum Actual.....	Ref. 4,247 [1.672]
Dimension Between Two Pins.....	Ref. 19,020 - 19,190 [.7488 - .7555]
Pin Diameter.....	4,496 [1.770] Pins to Have 3,38 [.133]
	Wide Flat for Root Clearance

2000 Series

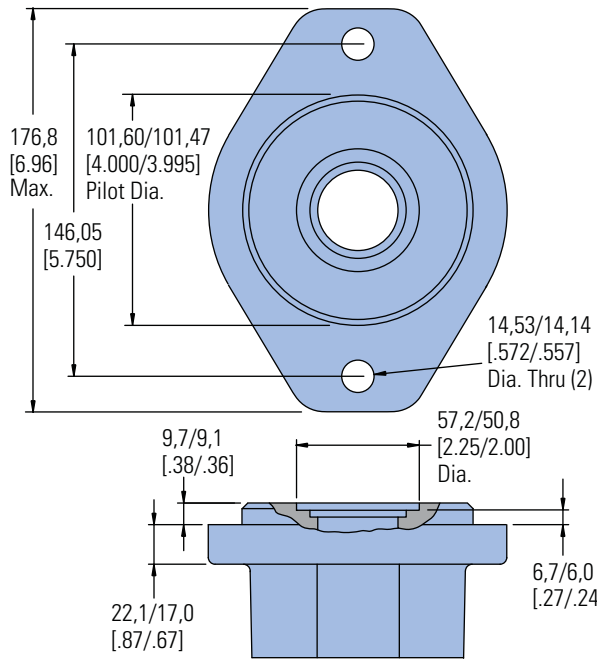
Dimensions

Mounting Options

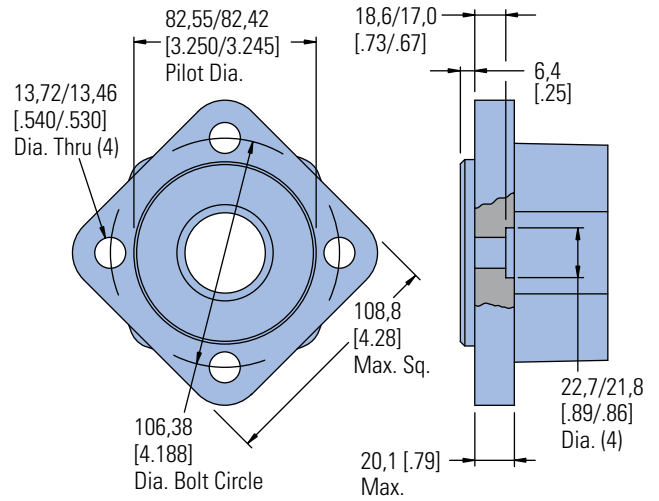
SAE A – Two Bolt (Standard Motor)



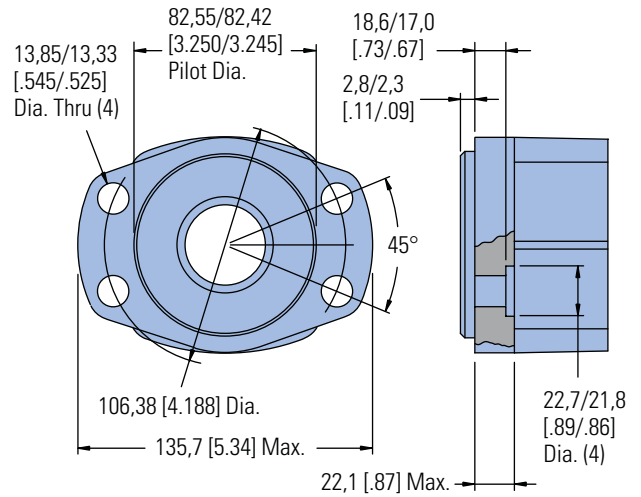
SAE B – Two Bolt



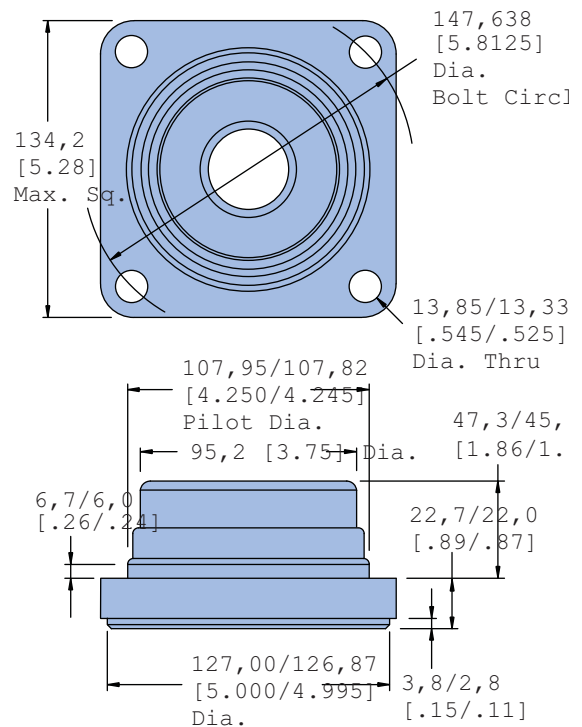
Four Bolt



Four Bolt Magneto



Four Bolt (Wheel Motor)



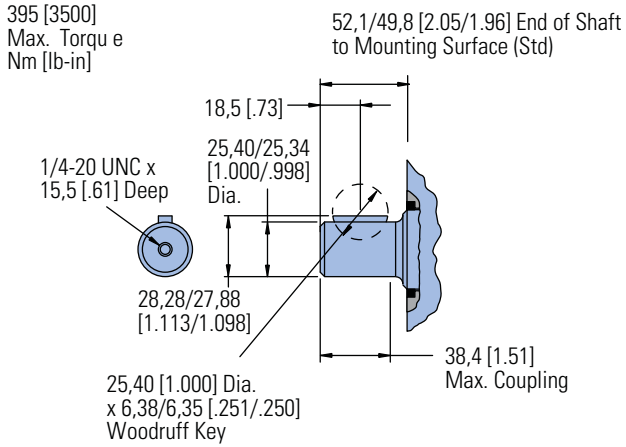
C-1

2000 Series

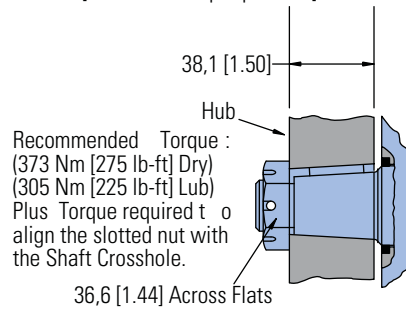
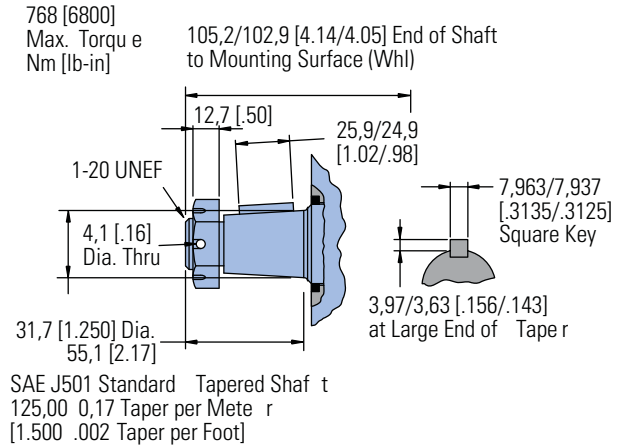
Dimensions

Shafts

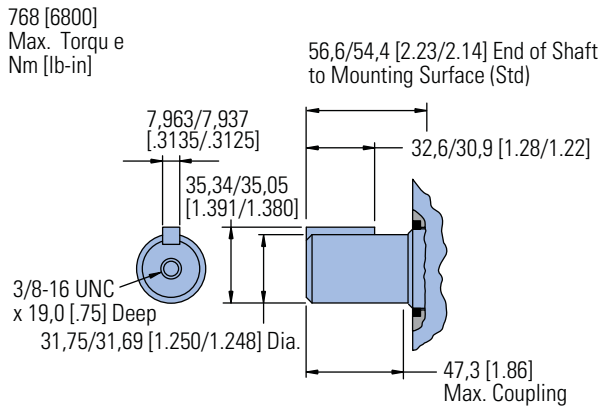
1 Inch Straight



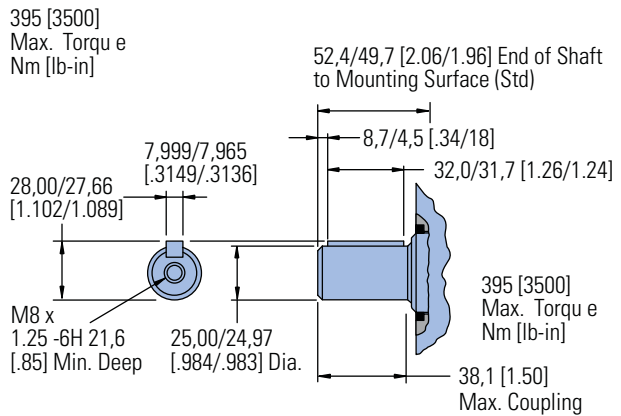
1 1/4 Inch Tapered



1 1/4 Inch Straight



25 mm Straight



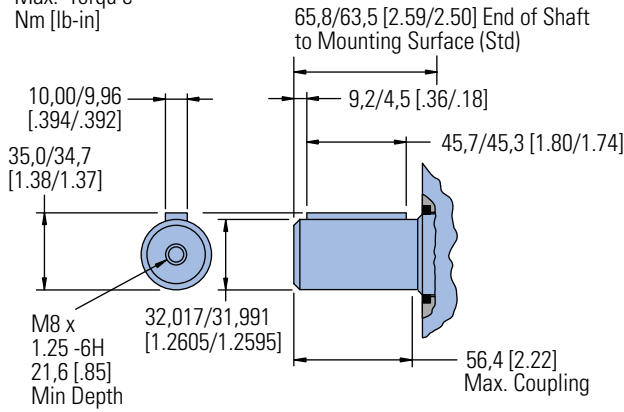
2000 Series

Dimensions

Shafts

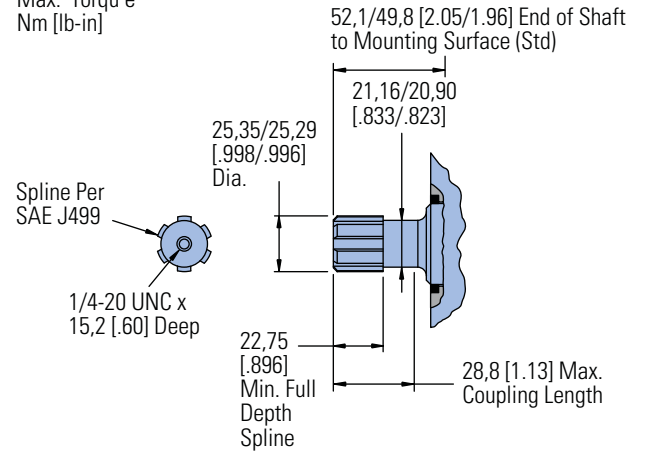
32 mm Straight

768 [6800]
Max. Torque
Nm [lb-in]



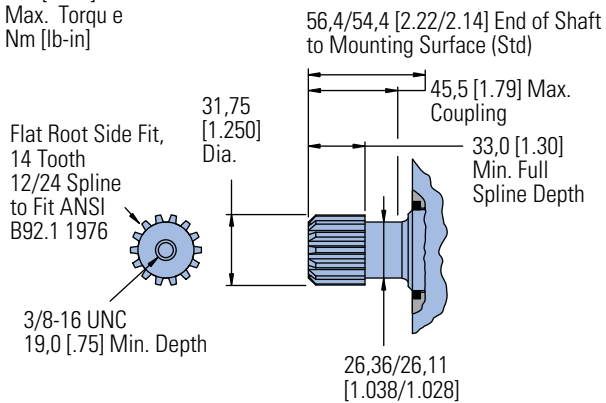
SAE 6B Splined

395 [3500]
Max. Torque
Nm [lb-in]



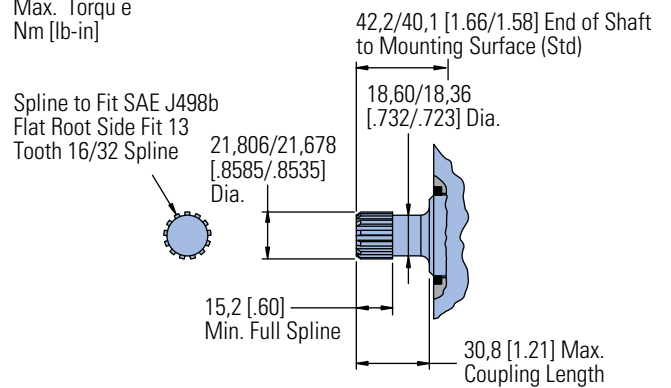
1 1/4 -14 Tooth Splined

768 [6800]
Max. Torque
Nm [lb-in]



13 Tooth Splined

141 [1250]
Max. Torque
Nm [lb-in]



C-1

2000 Series

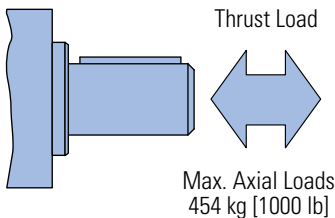
Shaft Side Load Capacity

These curves indicate the radial load capacity on the motor shaft at various locations with an allowable external thrust load of 454 kg [1000 lb].

Note:

Case pressure will increase the allowable inward thrust load and decrease the allowable outward thrust load. Case pressure will push outward on the shaft at 61 kg/7 Bar [135 lb/100 PSI].

Each curve is based on B 10 bearing life (2000



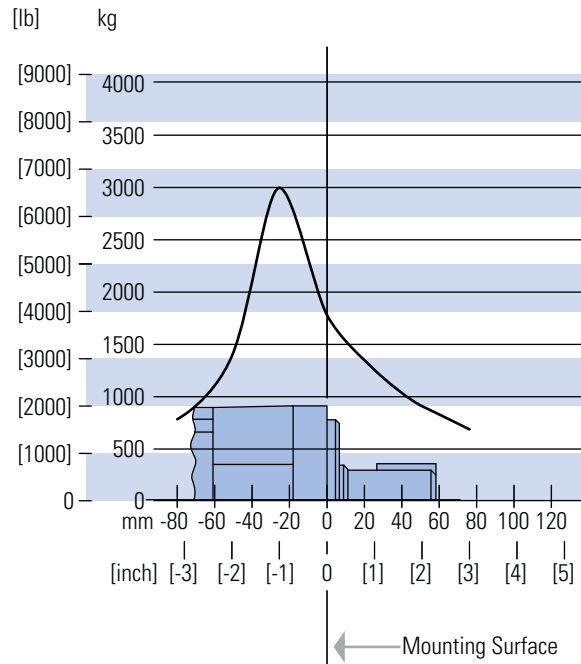
hours of 12,000,000 shaft revolutions at 100 RPM) at rated output torque.

To determine radial load at speeds other than 100 RPM, multiply the load values given on the bearing curve by the factors in the chart below.

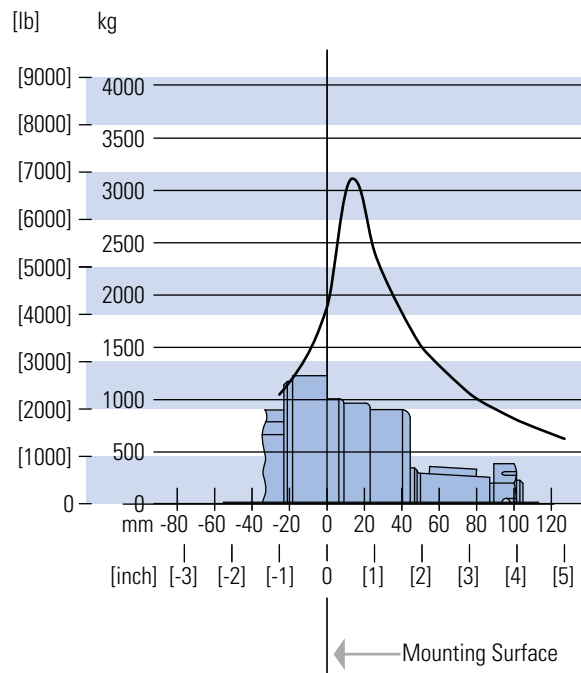
RPM	Multiplication Factor
50	1.23
100	1.00
200	0.81
300	0.72
400	0.66
500	0.62
600	0.58
700	0.56
800	0.54

For 3,000,000 shaft revolutions or 500 hours—Increase these shaft loads 52%.

Standard Motor
Straight and Splined Shafts



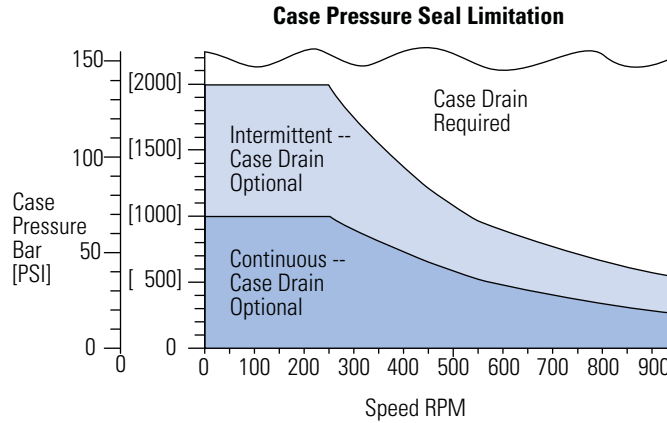
Wheel Motor
Tapered Shaft



2000 Series

Case Pressure and Case Porting

Char-Lynn 2000 Series motors are durable and have long life as long as the recommended case pressure is not exceeded. Allowable case pressure is highest at low shaft speeds. Consequently, motor life will be shortened if case pressure exceeds these ratings (acceptability may vary with application). Determine if an external case drain is required from the case pressure seal limitation chart.



Case Porting Advantage

Contamination Control — flushing the motor case.

Cooler Motor — exiting oil draws motor heat away.

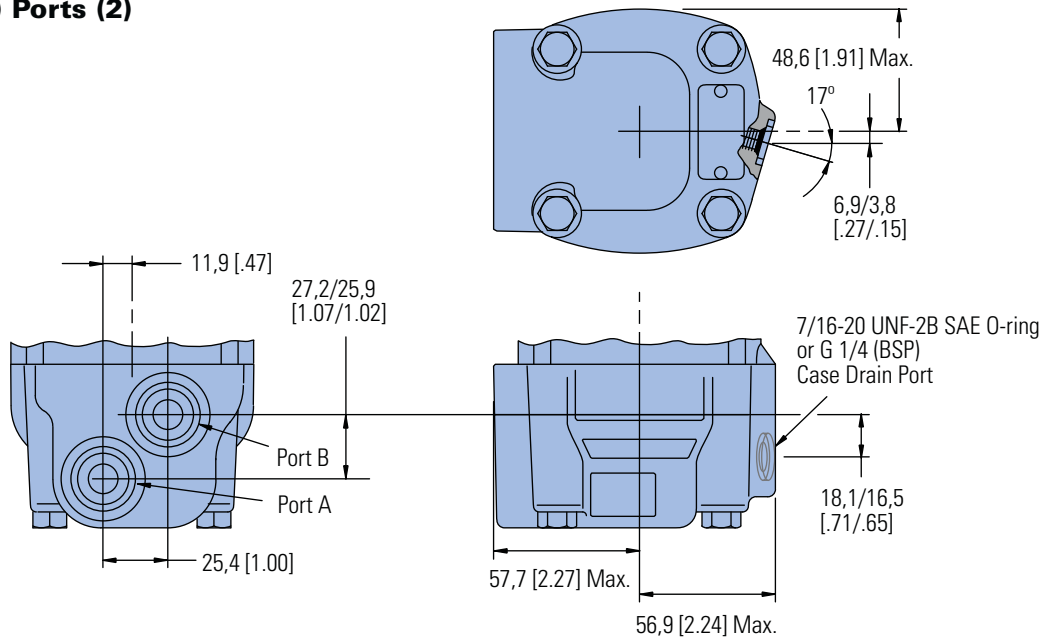
Extend Motor Seal Life — maintain low case pressure with a preset restriction in the case drain line.

2000 Series

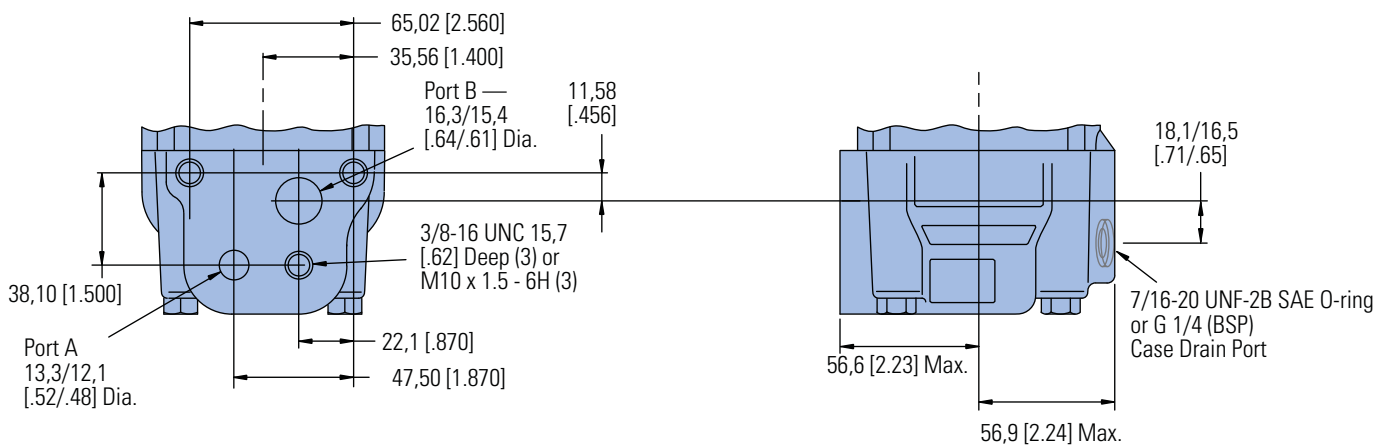
Dimensions

Ports

7/8-14 UNF-2B SAE O-ring Ports (2) or G 1/2 (BSP) Ports (2)



Manifold Mount

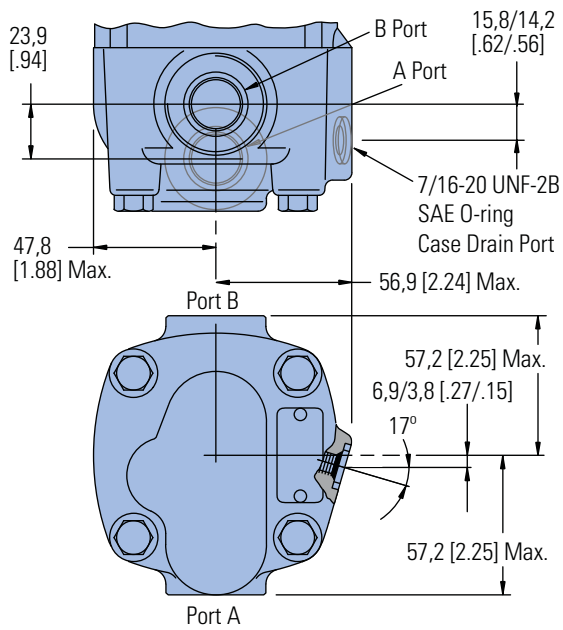


2000 Series

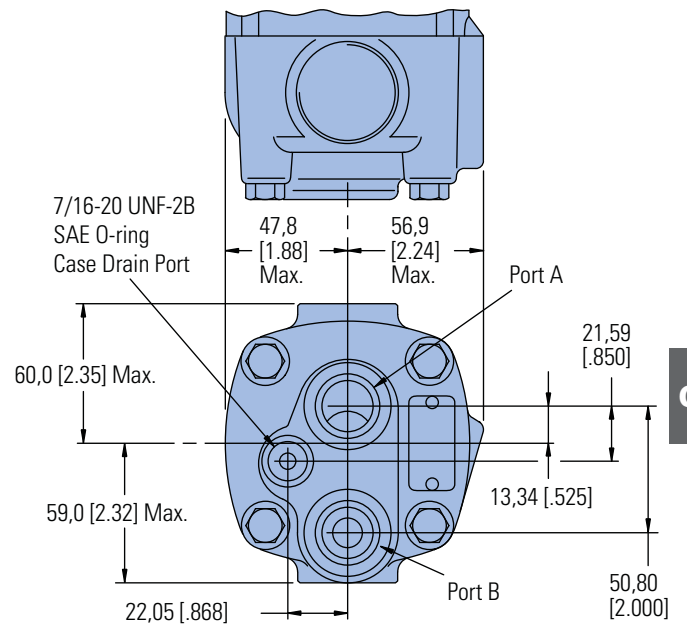
Dimensions

Ports

1-1/16-12 UN-2B SAE O-ring Ports (2) Positioned 180° Apart



7/8-14 UNF-2B SAE O-ring End Ports (2)



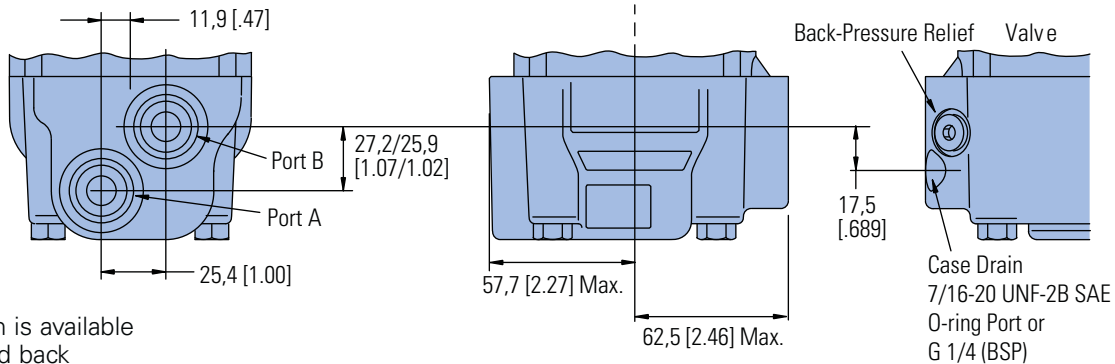
C-1

2000 Series

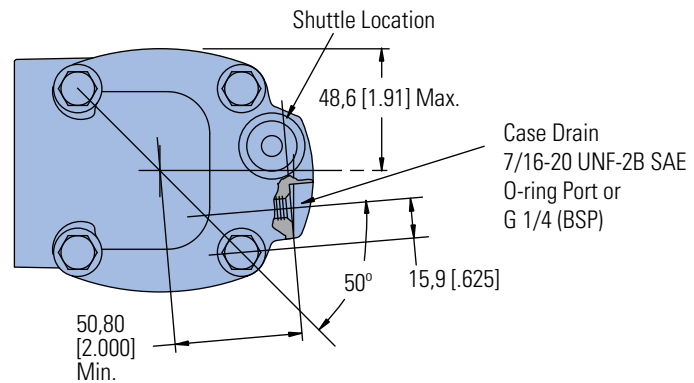
Dimensions

Ports with Shuttle

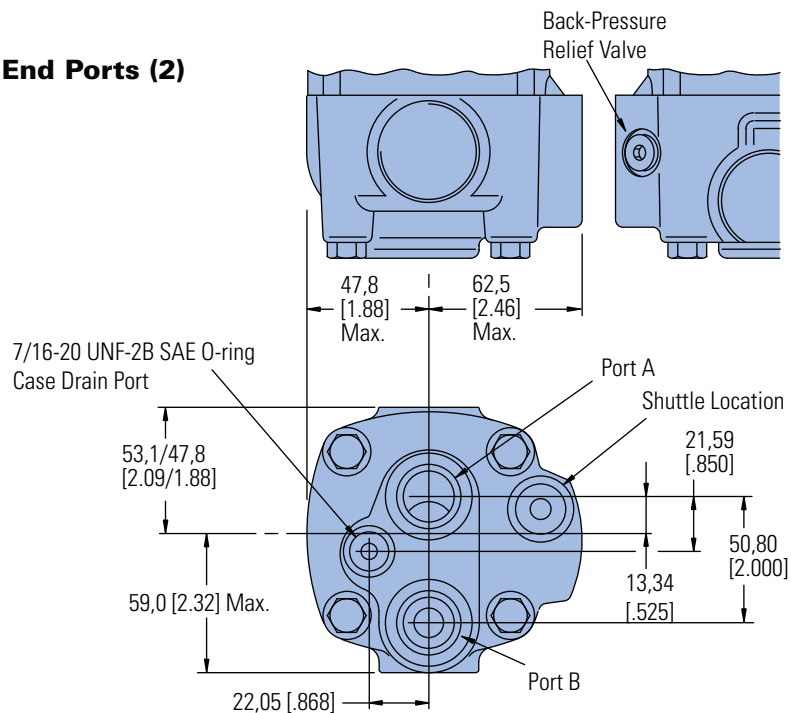
7/8 -14 UNF-2B SAE O-ring Ports (2) or G 1/2 (BSP) Ports (2)



This port option is available with shuttle and back pressure relief valve for closed loop applications.



7/8 -14 UNF-2B SAE O-ring End Ports (2)



This port option is available with shuttle and back pressure relief valve for closed loop applications.

2000 Series

Product Numbers

Note:

For 2000 Series Motors with a configuration **Not Shown** in the charts below: Use model code number system on the next page to specify product in detail.

Use digit prefix — 104-, 105-, or 106- plus four digit number from charts for complete product number— Example 106-1043.

Orders will not be accepted without three digit prefix.

MOUNTING	SHAFT	PORT SIZE	DISPL. cm ³ /r [in ³ /r] / PRODUCT NUMBER									
			80 [4.9]	90* [5.5]	100 [6.2]	130 [8.0]	160 [9.6]	195 [11.9]	245 [14.9]	305 [18.7]	395 [24.0]	490 [29.8]
2 Bolt SAE A Flange	1 Inch Straight	7/8 -14 O-ring Staggered	104-1001	—	-1002	-1003	-1004	-1005	-1006	-1007	-1143	—
		1 1/16 -12 O-ring 180° Apart	104-1037	—	-1038	-1039	-1040	-1041	-1042	-1043	-1044	—
	1 1/4 Inch Straight	7/8 -14 O-ring Staggered	104-1022	—	-1023	-1024	-1025	-1026	-1027	-1028	-1228	-1420
		1 1/16 -12 O-ring 180° Apart	104-1061	—	-1062	-1063	-1064	-1065	-1066	-1067	-1068	-1421
	1 1/4 Inch 14 T Splined	7/8 -14 O-ring Staggered	104-1029	—	-1030	-1031	-1032	-1033	-1034	-1035	-1229	-1422
		1 1/16 -12 O-ring 180° Apart	104-1087	—	-1088	-1089	-1090	-1091	-1092	-1093	-1094	-1423
2 Bolt SAE B Flange	1 1/4 Inch Straight	7/8 -14 O-ring Staggered	104-1200	—	-1201	-1202	-1203	-1204	-1205	-1206	-1207	—
	1 1/4 Inch Involute SAE C Splined	7/8 -14 O-ring Staggered	104-1208	—	-1209	-1210	-1211	-1212	-1213	-1214	-1215	—
	1 Inch SAE 6B Splined	7/8 -14 O-ring Staggered	104-1193	—	-1194	-1195	-1196	-1197	-1198	-1199	—	—
	7/8 Inch SAE B Splined	7/8 -14 O-ring Staggered	104-1216	—	-1217	-1218	-1219	-1220	—	—	—	—
Standard with 4 Bolt Flange	32 mm Straight	G 1/2 (BSP)	104-1384	—	-1385	-1386	-1387	-1388	-1389	-1390	-1391	—
	1 1/4 Inch 14 T Splined	G 1/2 (BSP)	104-1376	—	-1377	-1378	-1379	-1380	-1381	-1382	-1383	—
Wheel Motor	1 1/4 Inch Straight	7/8 -14 O-ring Staggered	105—	—	—	—	—	—	—	—	—	-1148
		1 1/16 -12 O-ring 180° Apart	105—	—	—	—	—	—	—	—	—	-1149
	32 mm Straight	G 1/2 (BSP)	105-1134	—	-1135	-1136	-1137	-1138	-1139	-1140	-1141	—
	1 1/4 Inch Tapered	7/8 -14 O-ring Staggered	105-1001	—	-1002	-1003	-1004	-1005	-1006	-1007	-1060	-1152
		1 1/16 -12 O-ring 180° Apart	105-1071	—	-1072	-1073	-1074	-1075	-1076	-1077	-1078	—
	1 1/4 Inch 14 T Splined	7/8 -14 O-ring Staggered	105-1029	—	-1030	-1031	-1032	-1033	-1034	-1035	-1096	—
1 1/16 -12 O-ring 180° Apart		105-1079	—	-1080	-1081	-1082	-1083	-1084	-1085	-1086	—	
Bearingless	G 1/2 (BSP)	7/8 -14 O-ring Staggered	106-1008	—	-1009	-1010	-1011	-1012	-1013	-1014	-1015	-1047
		G 1/2 (BSP)	106-1038	—	-1039	-1040	-1041	-1042	-1043	-1044	-1045	—

*New Release

106-1044

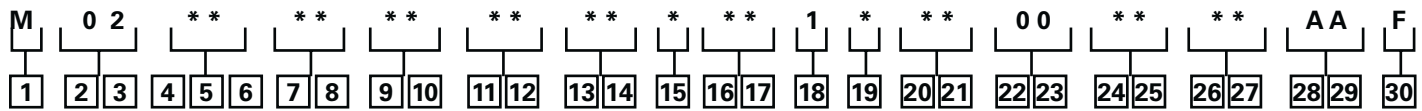
Motors with Corrosion Protection

MOUNTING	SHAFT	PORT SIZE	DISPL. cm ³ /r [in ³ /r] / PRODUCT NUMBER									
			80 [4.9]	90* [5.5]	100 [6.2]	130 [8.0]	160 [9.6]	195 [11.9]	245 [14.9]	305 [18.7]	395 [24.0]	490 [29.8]
2 Bolt SAE A Flange	1 inch Straight	7/8 -14 O-ring Staggered	104-1528	—	-1529	-1530	-1531	-1532	-1533	-1534	-1519	-1535
	1 1/4 Inch Straight	7/8 -14 O-ring	104-1516	—	-1536	-1537	-1538	-1539	-1452	-1479	-1509	-1489

*New Release

2000 Series

Model Code



The following 30-digit coding system has been developed to identify all of the configuration options for the 2000 Series motor. Use this model code to specify a motor with the desired features. All 30 digits of the code must be present when ordering. You may want to photocopy the matrix below to ensure that each number is entered in the correct box.

1 Product

M – 2000 Series Motor

2, 3 Product Series

02 – 2000 Series Motor

4, 5, 6 Displacement

049 – 80.6 cm³/r [4.92]
055 – 90.6 cm³/r [5.53 in³/r]
062 – 101.6 cm³/r [6.20 in³/r]
080 – 130.6 cm³/r [7.97 in³/r]
096 – 158.1 cm³/r [9.65 in³/r]
119 – 194.8 cm³/r [11.89 in³/r]
149 – 244.3 cm³/r [14.91 in³/r]
187 – 306.6 cm³/r [18.71 in³/r]
240 – 393.8 cm³/r [24.03 in³/r]
298 – 489.0 cm³/r [29.84 in³/r]

7, 8 Mounting Type

AB – Wheel, 4 Bolt: 108.0 [4.25] Pilot Dia. 13.59 [.535] Dia. Holes on 147.6 [5.81] Dia. Bolt Circle. 127.0 [5.00] Dia. Rear Mount Pilot
AC – Standard, 2 Bolt: 82.6 [3.25] Pilot Dia. 13.59 [.535] Dia. Holes on 106.4 [4.19] Dia. Bolt Circle. SAE A

AD – Bearingless (w/ Leakage Slots), 4 Bolt: 101.6 [4.00] Pilot Dia. 13.59 [5.35] Dia. Holes on 127.0 [5.00] Dia. Bolt Circle

AF – Standard, 2 Bolt: 101.6 [4.00] Pilot Dia. 14.35 [5.65] Dia. Holes on 146.0 [5.75] Dia. Bolt Circle. SAE B

AH – Standard, 4 Bolt: 82.6 [3.25] Pilot Dia. 13.59 [5.35] Dia. Holes on 106.4 [4.19] Dia. Bolt Circle

AJ – Standard (Magneto), 4 Bolt: 82.6 [3.25] Pilot Dia. 13.59 [5.35] Dia. Holes on 106.4 [4.19] Dia. Bolt Circle. 2.79 [1.10] Pilot Length

AL - Wheel (European), 4 Bolt: 125 [4.92] Pilot Dia. 13.79 [5.43] Dia. Holes on 159.99 [6.299] Dia. Bolt Circle

AP – Wheel, 4 Bolt: 108.0 [4.25] Pilot Dia. 13.59 [5.35] Dia. Holes on 147.6 [5.81] Dia. Bolt Circle. 127.0 [5.00] Dia. Rear Mount Pilot. Spigot Reduced to 88.9 [3.50] Dia. by 25.4 [1.00] Depth.

AZ – Bearingless (w/ Leakage Slots), 4 Bolt: 100.0 [3.94] Pilot Dia. 11.0 [4.3] Dia. Holes on 125.0 [4.92] Dia Bolt Circle (European)

9, 10 Output Shaft

00 – None (Bearingless)
01 – 25.40 [1.000] Dia. Straight Shaft with 1/4-20UNC-2B Thread in End, 6.35 [1.250] Wide x 25.40 [1.000] Dia. Woodruff Key
02 – 31.75 [1.250] Dia. Straight Shaft with .375-16UNC-2B Thread in End, 7.938 [3.125] Sq x 31.75 [1.250] Straight Key
03 – 31.75 [1.250] Dia. .125:1 Tapered Shaft per SAE J501 with/1.000-20 UNEF-2A Threaded Shaft End and Slotted Hex Nut, 7.938 [3.125] Sq x 25.40 [1.0] Straight Key
04 – 31.75 [1.250] Dia. Flat Root Side Fit, 14 Tooth, 12/24 DP 30° Involute Spline w/ .375-16UNC-2B Thread in End, 33.0 [1.30] Min. Full Spline Length

05 – 25.40 [1.000] Dia. 6B Spline per SAE J499 with .250-20UNC-2B Thread in End, 22.76 [8.96] Min. Full Spline Length

07 – 22.22 [8.75] Dia. Flat Root Side Fit, 13 Tooth, 16/32 DP 30° SAE B Involute Spline, 15.2 [6.0] Min. Full Spline Length

16 – 32.00 [1.260] Dia. Straight Shaft with M8 x 1.25-6H Thread in End, 9.982 [3.930] W x 7.995 [3.132] H x 45.00 [1.772] L Key

17 – 31.75 [1.250] Dia. Straight Shaft With 3/8 -16 UNC-2B Thread in End, 7.938 [3.125] Sq x 31.75 [1.250] Straight Key, Corrosion Resistant (Seal area to shaft end)

18 – 31.75 [1.250] Dia. .125:1 Tapered Shaft per SAE J501 with 1.000-20UNEF-2A Threaded Shaft End and Slotted Hex Nut, 7.938 [3.125] Sq x 25.40 [1.000] Straight Key, Corrosion Resistant (Under seal area only)

19 – 25.00 [.984] Dia. Straight Shaft with M8 x 1.25-6H Thread in End, 7.982 [3.142] W x 6.954 [2.738] H x 31.82 [1.254] L Key

28 – 32.00 [1.260] Dia. 10:1 Tapered Shaft Per ISO R775 with M10 X 1.50-6H Thread in End, 6.00 [.236] Sq. x 50.00 [1.968] Key

39 – None (Bearingless) European Spline
 41 – 35.00 [1.378] Dia. 10:1 Tapered Shaft Per ISO R775 with M20 x 1.5-6g Threaded Shaft End and Slotted Hex Nut, 6.00 [.236] Sq. X 20.00 [.787] Key

42 – 35.00 [1.378] Dia. Straight Shaft with M8 x 1.25-6h Thread in End, 9.982 [.3930] W x 7.995 [.3132] H x 45.00 [1.772] L Key

11, 12 Ports

AA – .875-14 UNF-2B SAE O-ring Ports - Staggered Ports

AB – 12.70 [.500] and 15.88 [.625] Dia. Manifold Ports with 3 x .375-16 UNC-2B Port Block Mounting Holes

AC – .875-14 UNF-2B SAE O-ring Ports - Ports Oriented 180° to each other

AE – 12.70 [.500] And 15.88 [.625] Dia. Manifold Ports with 3 x M10 x 1.5-6H Port Block Mounting Holes

AF – 1.0625-12 UN-2B SAE O-ring Ports - Ports Oriented 180° to each other

AG – G-1/2 BSP Straight THD Ports - Staggered Ports

AN – G-1/2 BSP Straight THD Ports - End Ported

AR – .875-14 UNF-2B SAE O-ring Ports - End Ported, Cast Boss Removed

AS – G-1/2 Bsp Straight THD Ports - Staggered Port with 2 x M10 x 1.5-6H Port Block Mounting Holes - European

13, 14 Case Flow Options

Shuttles available with port code AA only)

01 – .4375-20 UNF-2B SAE O-Ring Port

02 – G 1/4 BSP Straight THD Port

09 – Reverse Flow Shuttle Valve w/ G-1/4 BSP Straight THD Port, .062 Dia. Shuttle Flow Orifice

13 – Reverse Flow Shuttle Valve w/ .4375-20 UNF-2B SAE O-Ring Port, .062 Dia. Shuttle Flow Orifice

15 Low Pressure Relief

0 – None

A – Set at 4.5 bar [65 lbf/in²]
 B – Set at 15.2 bar [220 lbf/in²]
 C – Set at 20.7 bar [300 lbf/in²]
 E – Set at 11.03 bar [160 lbf/in²]

16, 17 Pressure/Flow Option

Integral Cross-Over Relief Valve:

00 – None

30 – Set at 103.4 bar [1500 lbf/in²]
 31 – Set at 120.6 bar [1750 lbf/in²]
 32 – Set at 137.9 bar [2000 lbf/in²]
 33 – Set at 155.1 bar [2250 lbf/in²]
 34 – Set at 172.4 bar [2500 lbf/in²]
 35 – Set at 189.6 bar [2750 lbf/in²]
 36 – Set at 206.8 bar [3000 lbf/in²]

18 Geroler Option

1 – Standard

19 Seal Options

0 – Standard

1 – Viton
 2 – Viton Shaft Seal
 4 – Seal Guard

20, 21 Accessories

00 – None

AD – M 12 Threaded Connector, Digital Speed Pickup (30 Pulse)
 AE – M 12 Threaded Connector, Long Body Digital Speed and Direction Pickup (1 = Power Supply, Pin 2 = Output Signal 1, Pin 3 = Common, Pin 4 = Output Signal 2)

22, 23 Special Features (Hardware)

00 – None

24, 25 Special Features (Assembly)

00 – None

AB – Reverse Rotation
 AE – Flange Rotated 45 Degrees

26, 27 Paint/Packaging

AA – No Paint, Indiv. Box
AB – Low Gloss Black Primer, Indiv. Box

28, 29 Customer ID

AA – None

30 Design Code

F – Sixth