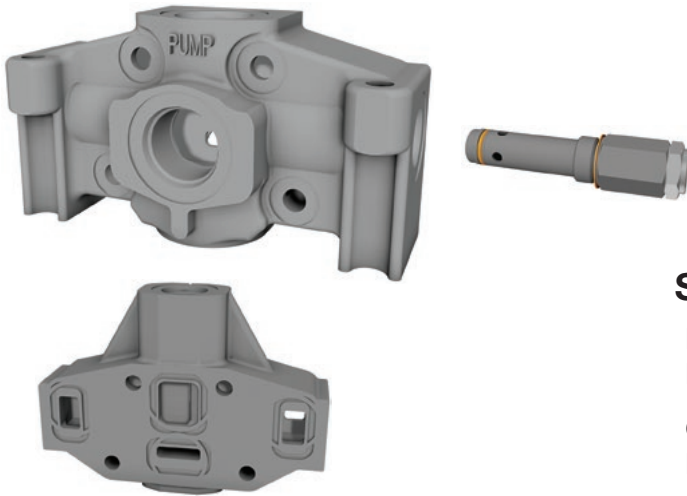


# VA20 and VG20 Inlets / Main Relief Valves



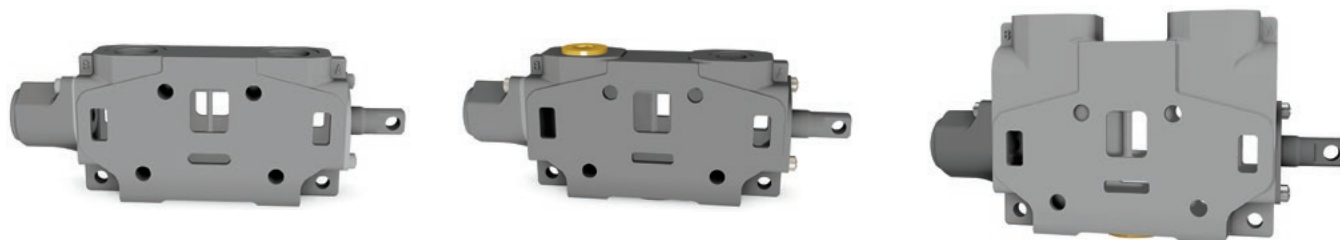
## Specifications

<b>Nominal Flow</b>	Up to 170 LPM (45 GPM)
<b>Operating Pressure</b>	VA20 Up to 172 Bar (2500 PSI) VG20 Up to 241 Bar (3500 PSI)

Part Number	Model Number	Description	Porting
347-9175-002	DVA20-A880	Inlet	SAE 16 Porting
347-9174-004	DVA20-CFA70	Combined Flow Mid Inlet	SAE 12 Porting
347-9174-002	DVA20-SFA70	Split Flow Mid Inlet	SAE 12 Porting
391-1873-001	DVA20-MRV	Adjustable Main Relief	N/A
391-1873-002	DV20-MRVP	Main Relief Plug	N/A
347-9175-010	DVG20-A880	Inlet	SAE 16 Porting
347-9174-006	DVG20-CFA70	Combined Flow Mid Inlet	SAE 12 Porting
347-9174-005	DVG20-SFA70	Split Flow Mid Inlet	SAE 12 Porting
391-1873-128	DVG20-HMRV	Adjustable Main Relief	N/A



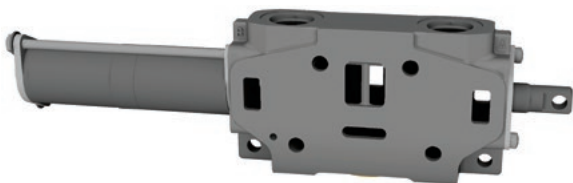
# VA20 and VG20 Work Sections



## Spring Return

Part Number	Model Number	Description	Porting
347-9172-003	DVA20-DA7	Low Boy Double-Acting Cylinder Spool	SAE 12
347-9172-006	DVA20-MA7	Low Boy Double-Acting Motor Spool	SAE 12
347-9171-003	DVA20-SA7	Low Boy Single-Acting Cylinder Spool	SAE 12
347-9172-009	DVA20-HA755	High Boy Double-Acting Cylinder Spool	SAE 12
347-9172-012	DVA20-LA755	High Boy Double-Acting Motor Spool	SAE 12
347-9171-006	DVA20-JA705	High Boy Single-Acting Cylinder Spool	SAE 12
347-9172-052	DVG20-DA7	Low Boy Double-Acting Cylinder Spool	SAE 12
347-9172-053	DVG20-MA7	Low Boy Double-Acting Motor Spool	SAE 12
347-9172-056	DVG20-HA755	High Boy Double-Acting Cylinder Spool	SAE 12
347-9172-057	DVG20-LA755	High Boy Double-Acting Motor Spool	SAE 12
347-9171-007	DVG20-JA705	High Boy Single-Acting Cylinder Spool	SAE 12

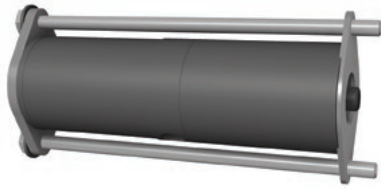
\* Hi boy port accessories come standard unplugged and must use either a port option or port plug for operation.



## Pneumatic

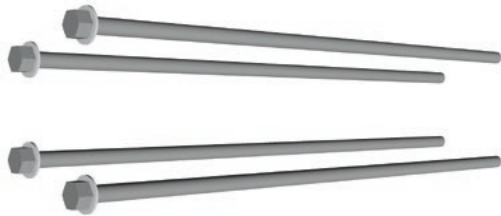
Part Number	Model Number	Description	Porting
347-9172-034	DVA20-DV7	Low Boy Double-Acting Cylinder Spool	SAE 12
347-9171-018	DVA20-SV7	Low Boy Single-Acting Cylinder Spool	SAE 12

# VA20 and VG20 Positioner Kits



Part Number	Model Number	Description
391-1873-206	DV20-K-113	Pneumatic Shifter
391-1873-020	DV20-K-101	3-Position Detent
391-1873-019	DV20-K-100	Spring Center

# VA20 and VG20 Stud Kits



Part Number	Model Number	Description
391-1873-045	DVA20-SK1	1 Work Section
391-1873-046	DVA20-SK2	2 Work Sections
391-1873-047	DVA20-SK3	3 Work Sections
391-1873-048	DVA20-SK4	4 Work Sections
391-1873-049	DVA20-SK5	5 Work Sections
391-1873-050	DVA20-SK6	6 Work Sections
391-1873-051	DVA20-SK7	7 Work Sections
391-1873-052	DVA20-SK8	8 Work Sections
391-1873-129	DVG20-TSK1	1 Work Section
391-1873-130	DVG20-TSK2	2 Work Sections
391-1873-131	DVG20-TSK3	3 Work Sections
391-1873-132	DVG20-TSK4	4 Work Sections
391-1873-133	DVG20-TSK5	5 Work Sections
391-1873-134	DVG20-TSK6	6 Work Sections
391-1873-135	DVG20-TSK7	7 Work Sections
391-1873-136	DVG20-TSK8	8 Work Sections

TSK have studs and nuts



## VA and VG Work Port Relief



Part Number	Model Number	Description
391-1873-006	DV-PRVAC	Screw Adjustable Work Port Relief
391-1873-010	DV-AC	Anti-Cavitation Check Valve
391-1873-007	DV-PRV-1	Work Port Relief 34 - 69 Bar (500 - 1000 PSI)
391-1873-008	DV-PRV-2	Work Port Relief 69 - 172 Bar (1000 - 2500 PSI)
391-1873-009	DV-PRV-3	Work Port Relief 172 - 241 Bar (2500 - 3500 PSI)
391-1873-011	DV-PRVP	Work Port Relief Plug

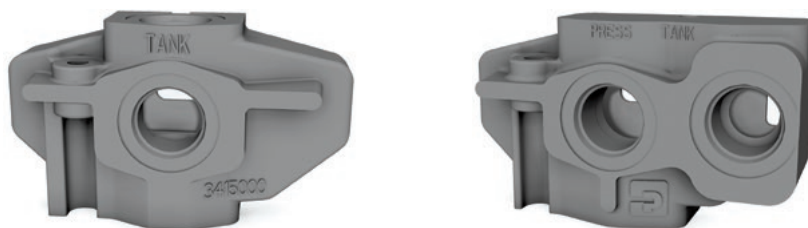
\*PRV Accesories are shim adjustable.

## VA and VG20 Handle Assemblies

Part Number	Model Number	Description
391-1873-094	DV20-H4	Standard 6" Handle
391-1873-062	DV20-H8	Standard 8" Handle

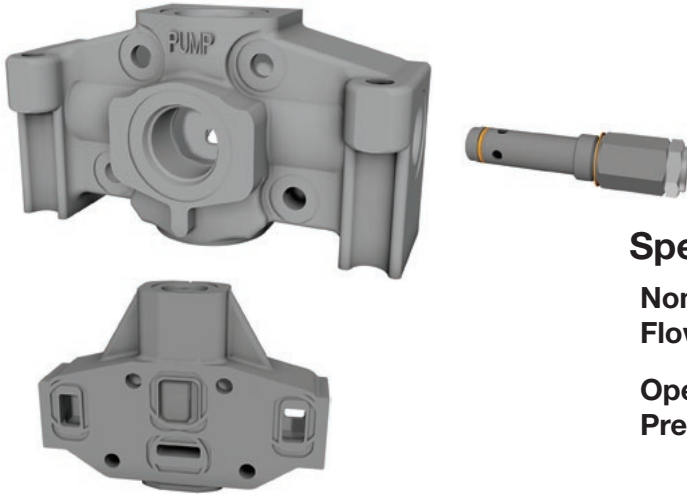


## VA20 and VG20 Outlets



Part Number	Model Number	Description	Porting
347-9176-002	DVA20-TR88	Tank Return	SAE 16
347-9176-004	DVA20-PB80	Power Beyond End Porting	SAE 16
347-9176-005	DVA20-PB08	Power Beyond Top Porting	SAE 16
347-9176-007	DVG20-TTR88	Tank Return	SAE 16
347-9176-008	DVG20-TTB80	Power Beyond Porting	SAE 16

# VA35 and VG35 Inlets and Main Relief Valve



## Specifications

**Nominal Flow** Up to 246 LPM (65 GPM)

**Operating Pressure** VA35 Up to 172 Bar (2500 PSI)  
 VG35 Up to 241 Bar (3500 PSI)

Part Number	Model Number	Description	Porting
348-9175-005	DVA35-A880	Inlet	SAE 16 Porting
348-9174-004	DVA35-CFA80	Combined Flow Mid Inlet	SAE 16 Porting
348-9174-002	DVA35-SFA80	Split Flow Mid Inlet	SAE 16 Porting
391-1873-003	DVA35-MRV-1	Main Relief 55 - 138 Bar (800 - 2000 PSI)	N/A
391-1873-004	DVA35-MRV-2	Main Relief 138 - 172 Bar (2000 - 2500 PSI)	N/A
348-9175-008	DVG35-A880	Inlet	SAE 16 Porting
348-9174-006	DVG35-CFA80	Combined Flow Mid Inlet	SAE 16 Porting
348-9174-005	DVG35-SFA80	Split Flow Mid Inlet	SAE 16 Porting
391-1873-137	DVG35-HMRV	Main Relief 193 - 241 Bar (2800 - 3500 PSI)	N/A

# VA35 and VG35 Work Sections



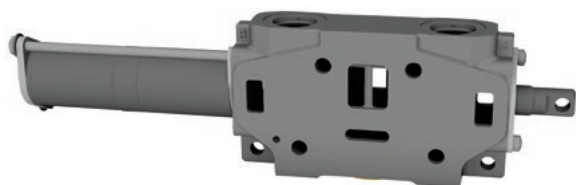
## Spring Return

Part Number	Model Number	Description	Porting
348-9172-003	DVA35-DA8	Low Boy Double-Acting Cylinder Spool	SAE 16
348-9172-006	DVA35-MA8	Low Boy Double-Acting Motor Spool	SAE 16
348-9171-003	DVA35-SA8	Low Boy Single-Acting Cylinder Spool	SAE 16
348-9172-009	DVA35-HA855	High Boy Double-Acting Cylinder Spool	SAE 16
348-9172-012	DVA35-LA855	High Boy Double-Acting Motor Spool	SAE 16
348-9171-006	DVA35-JA805	High Boy Single-Acting Cylinder Spool	SAE 16

# VA35 and VG35 Work Sections Continued

## Spring Return

Part Number	Model Number	Description	Porting
348-9172-048	DVG35-DA8	Low Boy Double-Acting Cylinder Spool	SAE 16
348-9172-049	DVG35-MA8	Low Boy Double-Acting Motor Spool	SAE 16
348-9172-052	DVG35-HA855	High Boy Double-Acting Cylinder Spool	SAE 16
348-9172-053	DVG35-LA855	High Boy Double-Acting Motor Spool	SAE 16
348-9171-011	DVG35-JA805	High Boy Single-Acting Cylinder Spool	SAE 16



## Pneumatic

Part Number	Model Number	Description	Porting
348-9172-030	DVA35-DV8	Low Boy Double-Acting Cylinder Spool	SAE 16
348-9171-016	DVA35-SV8	Low Boy Single-Acting Cylinder Spool	SAE 16
348-9172-021	DVA35-HV855	High Boy Double-Acting Cylinder Spool	SAE 16
348-9172-066	DVA35-LV855	High Boy Double-Acting Motor Spool	SAE 16

Part Number	Model Number	Description	Porting
348-9172-075	DVG35-HV855	High Boy Double-Acting Cylinder Spool	SAE 16

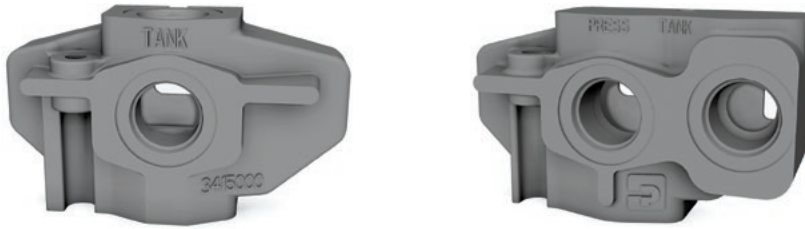
\* Hi boy port accessories come standard unplugged and must use either a port option or port plug for operation.

# VA35 and VG35 Handle Assemblies

Part Number	Model Number	Description
391-1873-097	DV35-H4	Low Boy 6" Handle
391-1873-065	DV35-H8	High Boy 8" Handle



## VA35 and VG35 Outlets



Part Number	Model Number	Description	Porting
348-9176-002	DVA35-TR99	Tank Return	SAE 20
348-9176-004	DVA35-PB90	Power Beyond	SAE 20
348-9176-007	DVG35-TTR99	Tank Return	SAE 20
348-9176-008	DVG35-TTB90	Power Beyond Porting	SAE 20

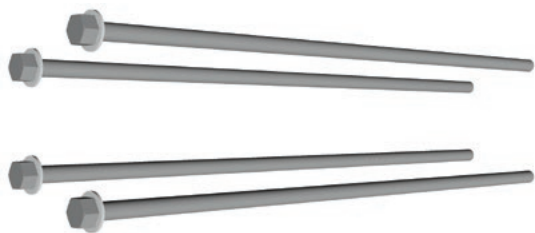
## VA35 and VG35 Positioner Kits



Part Number	Model Number	Description
391-1873-203	DV35-K-213	Pneumatic Shifter
391-1873-027	DV35-K-201	3-Position Detent
391-1873-026	DV35-K-200	Spring Center Detent



# VA35 and VG35 Stud Kits



Part Number	Model Number	Description
391-1873-053	DVA35-SK1	1 Work Section
391-1873-054	DVA35-SK2	2 Work Sections
391-1873-055	DVA35-SK3	3 Work Sections
391-1873-056	DVA35-SK4	4 Work Sections
391-1873-057	DVA35-SK5	5 Work Sections
391-1873-058	DVA35-SK6	6 Work Sections
391-1873-059	DVA35-SK7	7 Work Sections
391-1873-060	DVA35-SK8	8 Work Sections
391-1873-138	DVG35-TSK1	1 Work Section
391-1873-139	DVG35-TSK2	2 Work Sections
391-1873-140	DVG35-TSK3	3 Work Sections
391-1873-141	DVG35-TSK4	4 Work Sections
391-1873-142	DVG35-TSK5	5 Work Sections
391-1873-143	DVG35-TSK6	6 Work Sections
391-1873-144	DVG35-TSK7	7 Work Sections
391-1873-145	DVG35-TSK8	8 Work Sections



TSK have studs and nuts

## Plugs



Part Number	Model Number	Description
08650298	K-SAE-10	Plug 5/8" O-Ring
08650299	K-SAE-12	Plug 3/4" O-Ring
08650301	K-SAE-16	Plug 1" O-Ring
391-1873-016	DV-DPL-12	Plug 3/4" O-Ring
391-1873-017	DV-DPL-16	Plug 1" O-Ring
391-1873-018	DV-DPL-20	Plug 1 1/4" O-Ring