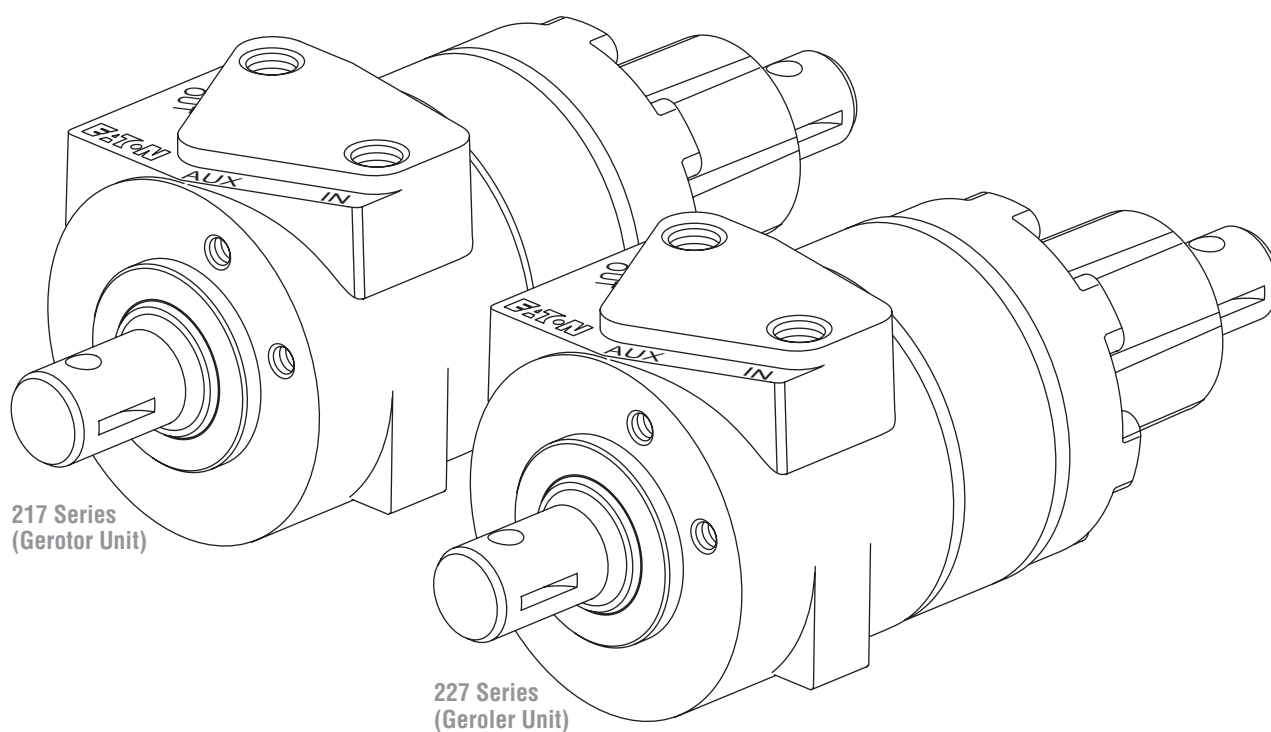
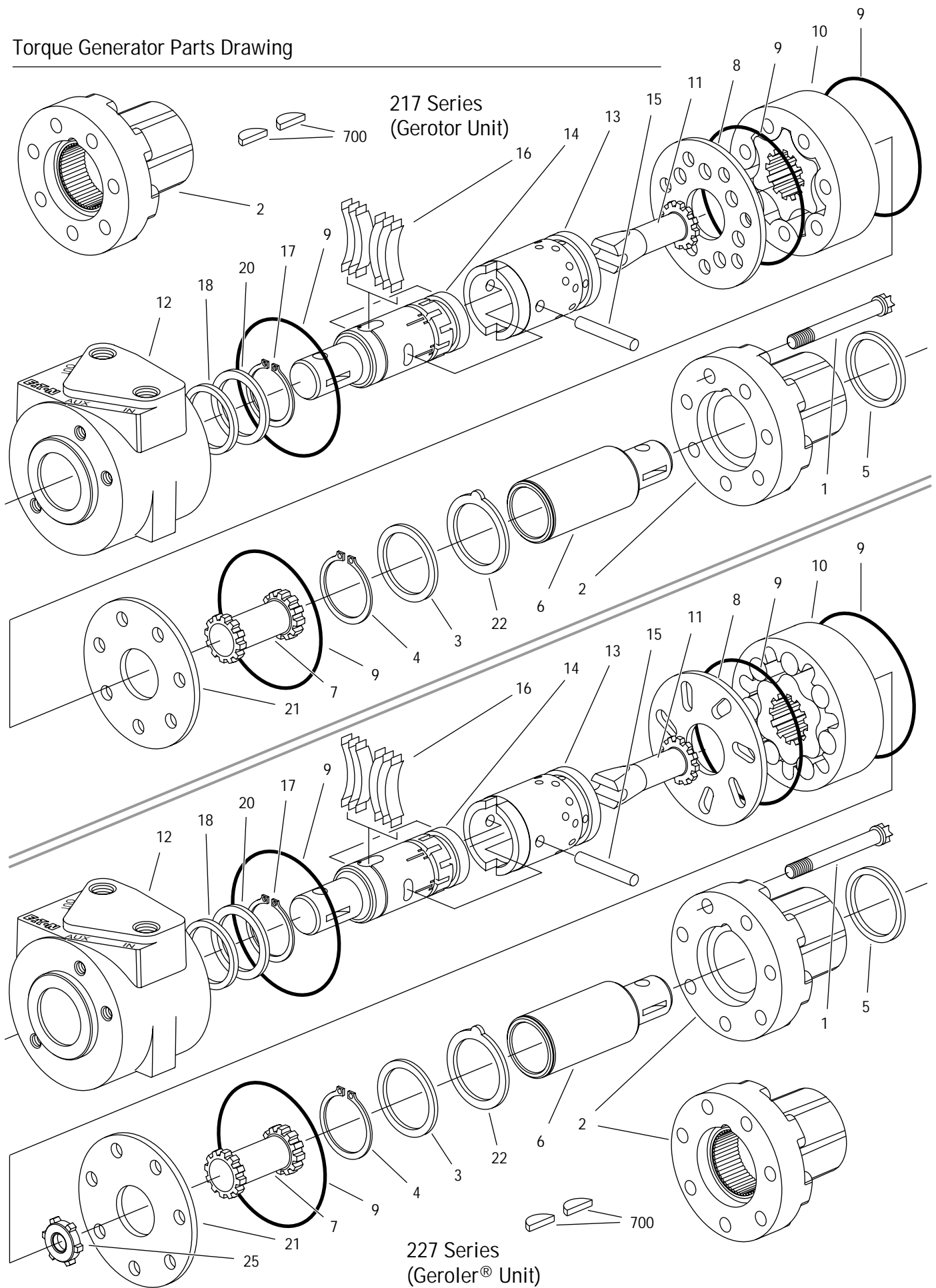


Parts Information



217 Series and 227 Series Torque Generator

Torque Generator Parts Drawing



Torque Generator Parts List



| Ref. No. | 217 Series (Gerotor Unit) | 227 Series (Geroler Unit) | Description | Quantity |
|----------|---------------------------|---------------------------|--|----------|
| 1 | * | * | Screw, Cap (6 Point (E10) Drive 5/16-24 UNF) | 7 |
| 2 | 201041-000 | 201042-000 | Housing, Power End | 1 |
| | 23411-003 | 23411-004 | Housing, Power End (Bearings, Needle Type) | 1 |
| 3 | 14564-000 | 14564-000 | Washer | 1 |
| 4 | 16078-022 | 16078-022 | Ring, Retaining | 1 |
| X 5 | 9004-008 | 9004-008 | Seal, Quad | 1 |
| 6 | 201039-000 | 201039-000 | Shaft, Power End | 1 |
| 7 | * | * | Drive, Power End | 1 |
| 8 | 23092-000 | 23448-000 | Plate, Spacer | 1 |
| X 9 | 5776-000 | 250001-041 | Seal, O-ring | 4 |
| 10 | * | * | Gerotor or Geroler | 1 |
| 11 | * | * | Drive, Control End | 1 |
| 12 | * | * | Housing, Valve | 1 |
| 13 | * | * | Sleeve | 1 |
| 14 | * | * | Spool | 1 |
| 15 | 15-000 | 15-000 | Pin | 1 |
| 16 | 230327-000 | 230327-000 | Spring, Centering — for Standard Input Torque | 6 |
| | 370-000 | 370-000 | Spring, Centering — for Increased Input Torque | 6 |
| 17 | 16078-020 | 16078-020 | Ring, Retaining | 1 |
| X 18 | 14520-002 | 14520-002 | Seal, Quad | 1 |
| 18a | 14617-000 | 14617-000 | Seal, Shaft (Lip Type — see Page 5) | 1 |
| X 19 | 15009-000 | 15009-000 | O-ring | 2 |
| 20 | 14565-000 | 14565-000 | Washer | 1 |
| 21 | 23378-000 | 23419-000 | Plate, Spacer | 1 |
| 22 | 14592-000 | 14592-000 | Washer | 1 |
| 25 | * | * | Spacer | 1 |
| 26 | 22894-004 | 22894-004 | Relief Valve S/A | 1 |
| 27 | 9253-000 | 9253-000 | Plug | 1 |
| 28 | 250001-113 | 250001-113 | O-ring | 1 |
| 30 | 21262-000 | 21262-000 | Spacer, Spring | 4 |
| 700 | 18033-000 | 18033-000 | Key, Woodruff | 2 |
| X | 64500-000 | 64499-000 | Seal Kit — Contains parts indicated by X | |

* See Separate Chart

| Displ. cm ³ /r [in ³ /r] | Item No. 1 | | Item No. 7 | | Item No. 10 | | Item No. 11 | | Item No. 25 | |
|--|----------------|----------------|---------------------|----------------|------------------------|---------------|-----------------------|----------------|-------------|---------------|
| | Cap Screws (7) | Length mm [in] | Power End Drive (1) | Length mm [in] | Gerotor or Geroler (1) | Width mm [in] | Control End Drive (1) | Length mm [in] | Spacer (1) | Width mm [in] |
| 76 [4.7] | 16294-200 | 50,8 [2.00] | 148-000 | 50,4 [1.98] | 8618-033 | 6,3 [.25] | 23284-001 | 58,9 [2.32] | — | |
| 96 [5.9] | 16294-200 | 50,8 [2.00] | 148-000 | 50,4 [1.98] | 8618-003 | 13,2 [.52] | 23284-001 | 58,9 [2.32] | — | |
| 160 [9.7] | 16294-225 | 57,1 [2.25] | 45-000 | 52,7 [2.07] | 8618-004 | 22,0 [.86] | 23284-002 | 64,0 [2.52] | — | |
| 80 [4.9] | 16294-200 | 50,8 [2.00] | 148-000 | 50,4 [1.98] | 23440-004 | 14,7 [.58] | 23284-001 | 58,9 [2.32] | 6901-015 | 2,5 [.10] |
| 120 [6.2] | 16294-212 | 53,8 [2.12] | 45-000 | 52,7 [2.07] | 23440-005 | 18,5 [.73] | 23284-001 | 58,9 [2.32] | 6901-009 | 3,6 [.14] |
| 160 [9.7] | 16294-262 | 66,6 [2.62] | 45-000 | 52,7 [2.07] | 23440-007 | 29,0 [1.14] | 23284-002 | 64,0 [2.52] | 6901-002 | 8,1 [.32] |

Standard Open Center Model— Housing — Sleeve — Spool

| Ref. No. | 217 Series (Gerotor Unit) | 227 Series (Geroler Unit) | Description | Quantity |
|----------|---------------------------|---------------------------|---|----------|
| 12 | 201045-002 | 201046-002 | Housing, Valve — 9/16-18 Ports (2) Open Center No Relief Valve Option | 1 |
| | 201045-003 | — | Housing, Valve — Manifold (2 Mounting Holes) Open Center No Relief Valve Option | 1 |
| | 201045-006 | 201046-006 | Housing, Valve — 9/16-18 Ports (2) Open Center with Relief Valve Option | 1 |
| | 201045-007 | — | Housing, Valve — Manifold (2 Mounting Holes) Open Center with Relief Valve Option | 1 |
| | 201045-010 | 201046-010 | Housing, Valve — G 3/8 (BSP) Ports (2) Open Center No Relief Valve Option | 1 |
| | 201045-012 | 201046-012 | Housing, Valve — G 3/8 (BSP) Ports (2) Open Center with Relief Valve Option | 1 |
| 13 | 220736-000 | 220736-000 | Sleeve — Open Center | 1 |
| 14 | 220735-000 | 220735-000 | Spool — Open Center — for Standard Torque Spring Pkg. | 1 |
| | 220831-000 | 220831-000 | Spool — Open Center — for Increased Input Torque Spring Pkg. | 1 |

Power Beyond Model — Housing — Sleeve — Spool

| Ref. No. | 217 Series (Gerotor Unit) | 227 Series (Geroler Unit) | Description | Quantity |
|----------|---------------------------|---------------------------|--|----------|
| 12 | 201045-001 | 201046-001 | Housing, Valve — 9/16-18 Ports (3) Power Beyond No Relief Valve Option | 1 |
| | 201045-005 | 201046-005 | Housing, Valve — 9/16-18 Ports (3) Power Beyond with Relief Valve Option | 1 |
| | 201045-009 | 201046-009 | Housing, Valve — G 3/8 (BSP) Ports (3) Power Beyond No Relief Valve Option | 1 |
| | 201045-011 | 201046-011 | Housing, Valve — G 3/8 (BSP) Ports (3) Power Beyond with Relief Valve Option | 1 |
| 13 | 220745-000 | 220745-000 | Sleeve — Open Center — Power Beyond — Displacements** | 1 |
| 14 | 220744-000 | 220744-000 | Spool — Open Center — Power Beyond — Displacements** | 1 |

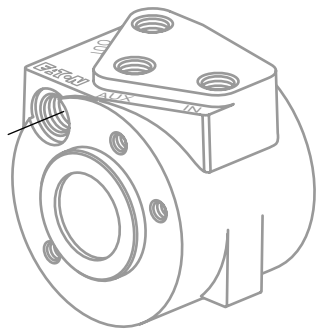
**Standard Gerotor Displacements 76 [4.7], 96 [5.9] and 80 [4.9]

Load Sensing Model — Housing — Sleeve — Spool

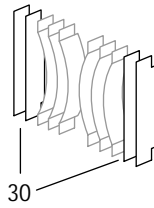
| Ref. No. | 217 Series (Gerotor Unit) | 227 Series (Geroler Unit) | Description | Quantity |
|----------|---------------------------|---------------------------|--|----------|
| 12 | 201045-001 | 201046-001 | Housing, Valve — 9/16-18 Ports (3) Load Sensing No Relief Valve Option | 1 |
| | 201045-005 | 201046-005 | Housing, Valve — 9/16-18 Ports (3) Load Sensing with Relief Valve Option | 1 |
| | 201045-009 | 201046-009 | Housing, Valve — G 3/8 (BSP) Ports (3) Load Sensing No Relief Valve Option | 1 |
| | 201045-011 | 201046-011 | Housing, Valve — G 3/8 (BSP) Ports (3) Load Sensing with Relief Valve Option | 1 |
| 13 | 220817-000 | 220817-000 | Sleeve — Load Sensing | 1 |
| 14 | 220816-000 | 220816-000 | Spool — Load Sensing — for Standard Input Torque Spring Pkg. | 1 |

Open Center with Case Drain— Housing — Sleeve — Spool

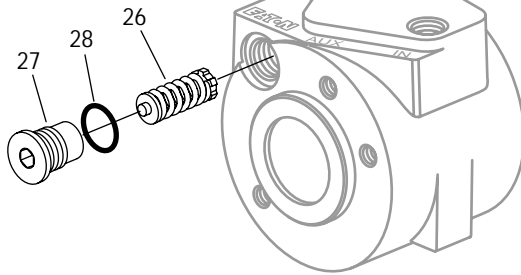
| Ref. No. | 217 Series (Gerotor Unit) | 227 Series (Geroler Unit) | Description | Quantity |
|----------|---------------------------|---------------------------|---|----------|
| 12 | 201045-001 | 201046-001 | Housing, Valve — 9/16-18 Ports (3) Open Center w/Case Drain No Relief Valve Option | 1 |
| | 201045-005 | 201046-005 | Housing, Valve — 9/16-18 Ports (3) Open Center w/Case Drain and Relief Valve Option | 1 |
| | 201045-009 | 201046-009 | Housing, Valve — G 3/8 (BSP) Ports (3) Open Center w/Case Drain No Relief Valve Option | 1 |
| | 201045-011 | 201046-011 | Housing, Valve — G 3/8 (BSP) Ports (3) Open Center w/Case Drain and Relief Valve Option | 1 |
| 13 | 220753-000 | 220753-000 | Sleeve — High Back Pressure | 1 |
| 14 | 220752-000 | 220752-000 | Spool — Open Center — High Back Pressure — for Standard Input Torque Spring Pkg. | 1 |
| | 220799-000 | 220799-000 | Spool — Open Center — High Back Pressure — for Increased Input Torque Spring Pkg. | 1 |



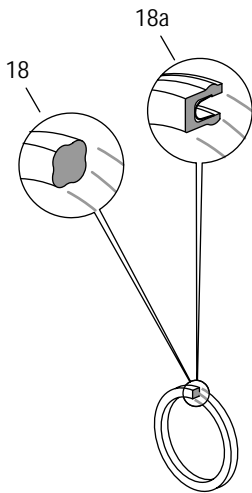
- Three Port Housing
- Power Beyond
 - Load Sensing
 - Open Center with Case Drain
 - With Internal Inlet Relief
 - Without Internal Inlet Relief



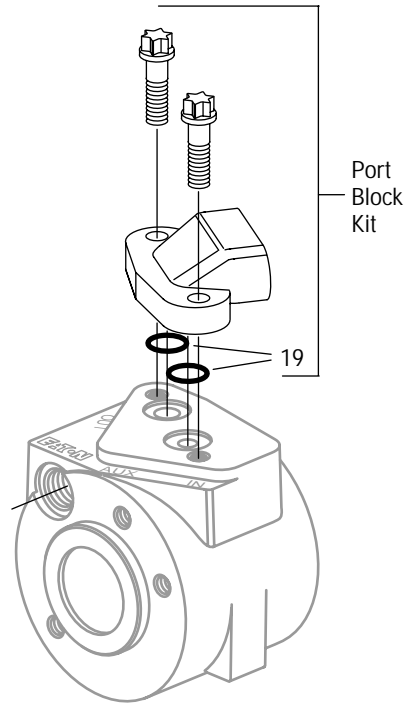
Four Spring Spacers added to outside of six springs for Increased input torque (Special Spool Required see Ref. No. 14).



- Two Port Housings
- With Internal Inlet Relief
 - Without Internal Inlet Relief



- Two Input Shaft Seals Available
- Quad Seal
 - Lip Seal



217 Series will Accept 90° Port Block Kit — NO. 208-1015 Kit contains port block with two 3/8-18 NPTF ports for right angle connection, two 5/16-18 cap screws, and two o-rings.

227 Series will require customer supplied port block — contact your Eaton representative.

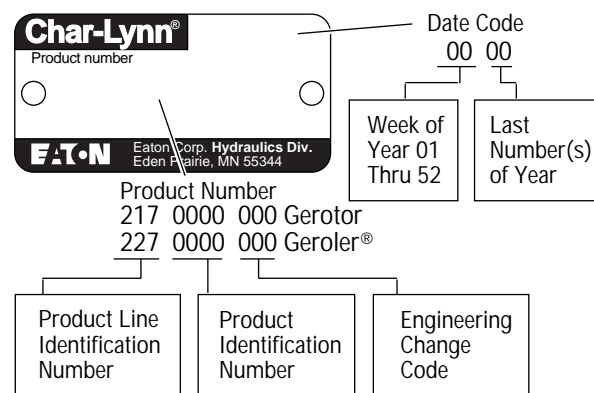
For Additional Literature Contact Eaton Corp. Hydraulics Division 15151 Highway 5 Eden Prairie, MN 55344.

- Specifications and performance Data, Catalog No. 11-302
- When Servicing 217 Series and 217 Series Torque Generators Refer to Repair Information No. 7-312. This Repair Manual List Tools Required, Step by Step Disassembly and Reassembly Procedures.

How to Order Replacement Parts

Each Order Must Include the Following:

- | | |
|-------------------|----------------------|
| 1. Product Number | 4. Part Number |
| 2. Date Code | 5. Quantity of Parts |
| 3. Part Name | |



Notes: _____

Eaton
Fluid Power Group
Hydraulics Business USA
14615 Lone Oak Road
Eden Prairie, MN 55344
USA
Tel: 952-937-9800
Fax: 952-294-7722
www.eaton.com/hydraulics

Eaton
Fluid Power Group
Hydraulics Business Europe
Route de la Longeraie 7
1110 Morges
Switzerland
Tel: +41 (0) 21 811 4600
Fax: +41 (0) 21 811 4601

Eaton
Fluid Power Group
Hydraulics Business Asia Pacific
11th Floor Hong Kong New World Tower
300 Huaihai Zhong Road
Shanghai 200021
China
Tel: 86-21-6387-9988
Fax: 86-21-6335-3912